

MODY CHIEF CHAIR

Technical Data Sheet





MODY CHIEF CHAIR

Designer: Z Design Team

Simplicity and comfort. It will change the atmosphere of your office with its style that turns every place into warm and friendly waiting areas.

DESCRIPTIONS

LEG

Metal Leg: 5 star office leg is made of aluminum material with aluminum injection production method. Surface polishing and chrome plating were applied to make it resistant to impacts and scratches.

Plastic Leg: It is made of hard plastic material resistant to impacts and scratches by plastic injection mold method.

MECHANISM

Double Arm Tilt Mechanism: Double arm tilt mechanism; It has the ability to adjust the back angle of the seat according to the user's request and lock it in the desired area. The back section is reclining and has a locking feature in the desired area. The knob at the bottom can adjust the softness of the mattress according to the weight and weight of the user. Height can be adjusted by moving up and down with the lever in front.

Class4 Shock Absorber: It can be fixed to the desired seat height with conical fitting to the foot and mechanism, imported gas class4 chrome plated shock absorber or class4 black shock absorber is used.

FRAME

It is a monoblock body covered with fabric or artificial leather on 45kg / m³ density polyurethane cast foam shaped in special molds. In the polyurethane inner frame, transmission shaft in Q5mm and Q10mm sizes and metal slats in 20x3mm and 20x5mm sizes are used for the strength of the form and resistance against impacts and fractures.

On the polyurethane body, 25DNS dense 2cm thick down sponge and 3mm thick lamination are laid. It is covered with artificial leather or fabric.

ACCESSORY

Wheels: Movable office chair wheels are made of PVC plastic material. It is mounted on the star foot with a snap-on system.

AREA OF USE

Meet Chef Chairs are designed for interiors such as executive rooms.

DESIGNER / COLLECTION

Mody Product Group was designed by Z Design Team. It was designed for 2022/2023 collection.

MATERIAL LIBRARY

You can access Zivella's library of wood, metal, fabric and artificial leather with the QR code below.

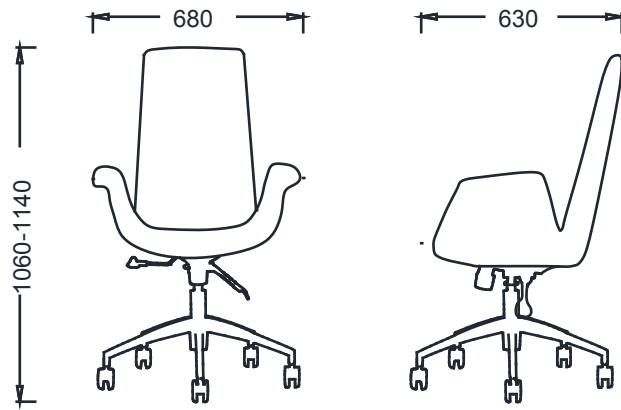


Material Library



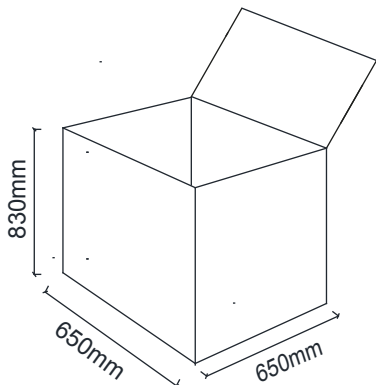
MODY CHIEF CHAIR

MEASUREMENTS



BRK274 - MODY CHIEF METAL LEG
BRK275 - MODY CHIEF PLASTIC LEG

Parcel Measurements



Unit of measurement is millimeters.