

FERA OFFICE CHAIR

Technical Data Sheet





FERA OFFICE CHAIR

Designer: Z Design Team

Available in a plethora of colors for the seat and back, the attractive Fera easily adapts to any work environment.

DESCRIPTIONS

LEG

The 5 star office leg is made of plastic material resistant to impacts and scratches or aluminum material with aluminum injection production method.

MECHANISM

Height adjustable, motion stiffness adjustable single lever tilt mechanism with locking at 3 separate tilt points. There is no skid feature.

The gas lift cylinder is an imported gas class4 shock absorber with conical fitting to the foot and mechanism, which can be fixed to the desired seat height, available in black or chrome plated options.

FRAME

The seat is made of 45 kg / m³ density polyurethane cast sponge formed in special molds, with a seat font, covered with artificial leather or fabric.

The seat bottom part is made of plastic material. The feet and seat sponge are mounted on the plastic seat bottom cover.

Back frame part made of plastic injection molded plastic material. The back is covered with mesh fabric. A lumbar support made of plastic material is used to provide ergonomics at the waist.

ARMREST

Armrest body is made of plastic material, armrest area is padded with polyurethane for ergonomic use. Armrest area is detailed with chrome parts underneath. For the armrest, the height can be adjusted with the help of the button, the armrest area can be adjusted back and forth.

ACCESSORIES

Wheels: 50mm diameter wheels made of hard plastic material, swivel in all directions with 11mm rings. Fixed bingo legs are made of plastic material. Mounted with the star leg snap-on system.

The seat and back parts are mounted to each other with M6 bolts. Movable office chair wheels are made of PVC plastic material. Mounted with the star leg snap-on system.

AREA OF USE

Fera Office Chairs are designed for interiors such as offices, meeting rooms.

DESIGNER / COLLECTION

Fera Office Chairs was designed by Z Design Team. It was designed for 2022/2023 collection.

MATERIAL LIBRARY

You can access Zivella's library of wood, metal, fabric and artificial leather with the QR code below.

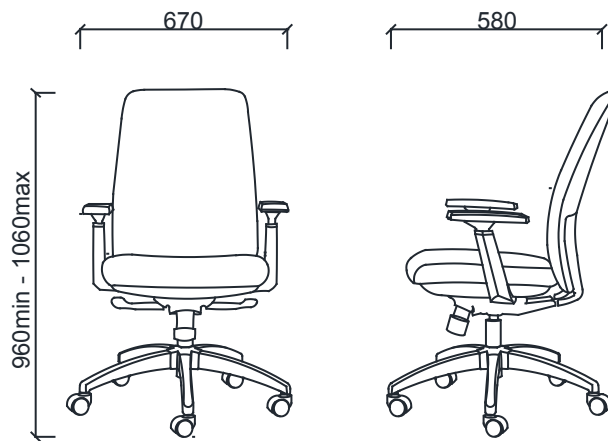


Material Library



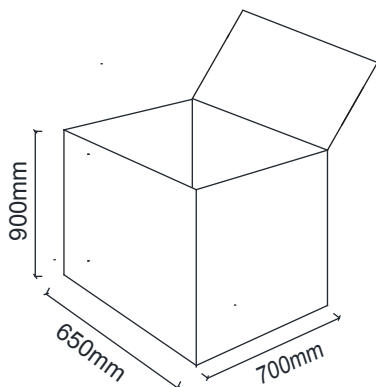
FERA OFFICE CHAIR

MEASUREMENTS



BRK45110 - FERA OFFICE PLASTIC LEG
BRK45111 - FERA OFFICE METAL LEG

Parcel Measurements



Unit of measurement is millimeters.