

BLADE EXECUTIVE GROUP

Technical Data Sheet





BLADE EXECUTIVE DESKS

Designer: Klan Studio

With a dynamic and outward design, the Blade product group makes the concept of hierarchy more transparent. Its simple electrification details and elegant storage solutions make it indispensable for sophisticated workspaces.

DESCRIPTION

METAL STRUCTURE

The desk legs are made from 60x6 mm and 40x10x1.5 mm metal strips. For the side unit and leg connection, 6 mm thick metal strips are used.

Under the desk top, there is a frame made from 30x30x1.5 mm metal profiles and 30x5 mm metal strips. For connecting the side unit, a 50x30 mm metal profile is used. The frame and organizer connection are made with 50x5 mm metal strips.

All metal parts are coated with a 90-micron thick textured (pebbled) electrostatic powder paint.

WOODEN STRUCTURE

The desk top is made from 18 mm and 30 mm particle board. The edges of the desk top are reinforced with 18+30 mm particle board. On the side with the side unit, there is a multifunctional organizer with a sliding door, made from 18 mm thick lacquer-painted MDF.

SIDE UNIT

The side unit is made from 18 mm thick melamine-coated particle board.

ELECTRIFICATION

For the desk's electrification solution, Hafele brand components are used, including one 220V socket, one USB-A (12V, 2.8A), and one USB-C (12V, 3A).

ACCESSORIES

The side unit doors are equipped with Hafele brand internal spring hinges, both soft-closing and regular.

The drawer slides are soft-closing telescopic slides, 40 cm deep.

USAGE AREA

The Blade Executive Desks are designed for executive offices.

DESIGNER / COLLECTION

The Blade Product Group was designed by Klan Studio for the 2022/2023 collection.

MATERIAL LIBRARY

Zivella; you can access the wood, metal, fabric, and faux leather library using the QR code below.



Material Catalog





BLADE STORAGE

Designer: Klan Studio

With a dynamic and outward design, the Blade product group makes the concept of hierarchy more transparent. Its simple electrification details and elegant storage solutions make it indispensable for sophisticated workspaces.

DESCRIPTION

WOODEN STRUCTURE

The outer frame of the console is made from 25 mm thick melamine-coated particle board. The inner structure is made from 18 mm thick melamine-coated particle board.

METAL STRUCTURE

The console legs are made from 60x6 mm and 40x10x1.5 mm metal strips, as well as 60x40 and 40x40 metal profiles. For the console-leg connection, 6 mm thick metal strips are used.

ACCESSORIES

The side unit doors are equipped with Hafele brand internal spring hinges, both soft-closing and regular.

USAGE AREA

The Blade Storage units are designed for executive offices.

DESIGNER / COLLECTION

The Blade Product Group was designed by Klan Studio for the 2022/2023 collection.

MATERIAL LIBRARY

Zivella; you can access the wood, metal, fabric, and faux leather library using the QR code below.



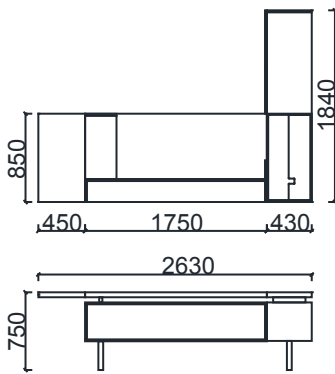
Material Catalog



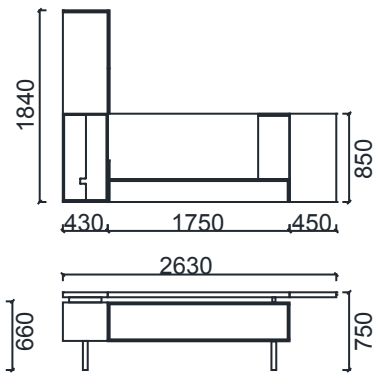
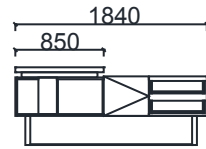
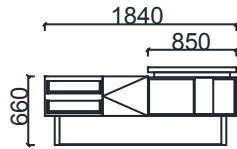


BLADE EXECUTIVE DESKS

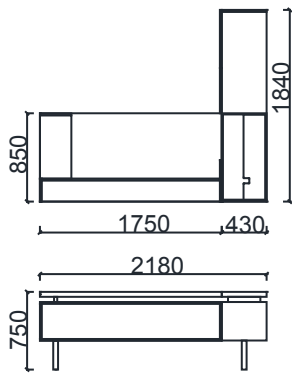
DIMENSIONS



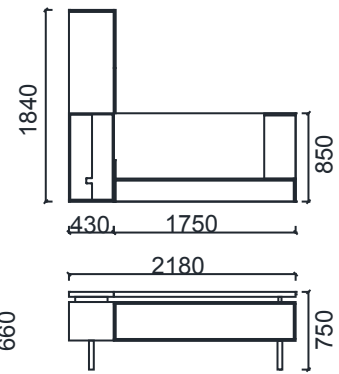
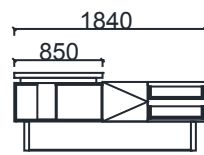
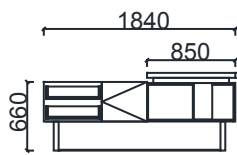
BYTO85220 - BLADE DESK WITH LEFT SIDE UNIT 85x263



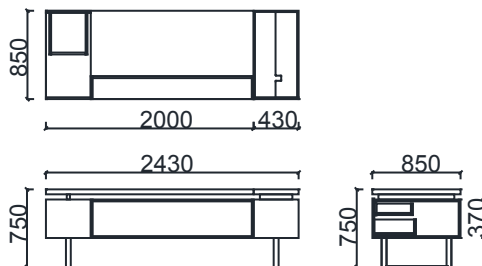
BYTA85220 - BLADE DESK WITH RIGHT SIDE UNIT 85x263



BYEO85175 - BLADE DESK WITH LEFT SIDE UNIT 85x175



BYEA85175 - BLADE DESK WITH RIGHT SIDE UNIT 85x175



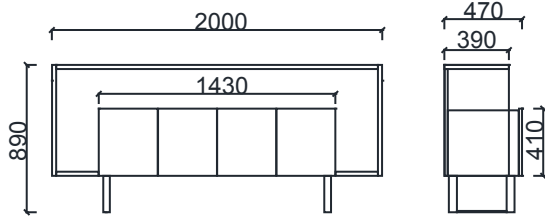
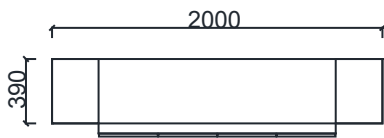
BYK85200 - BLADE DESK WITH DRAWER UNIT 85x200

Measurements are in millimeters.

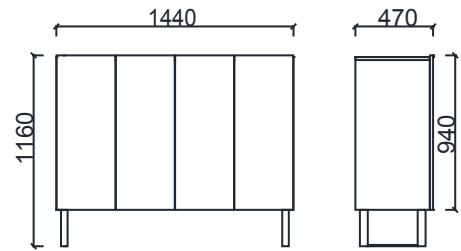
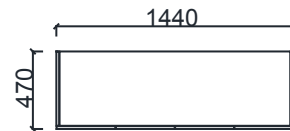


BLADE STORAGE

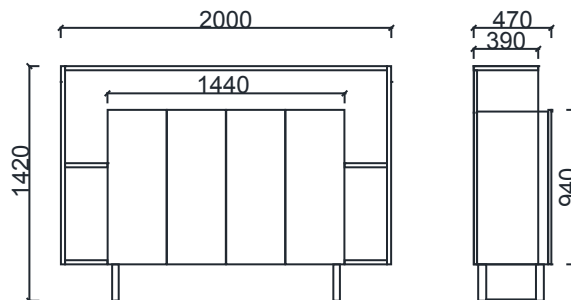
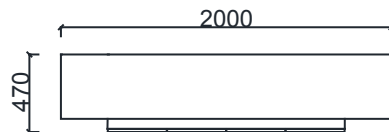
DIMENSIONS



BDK20047 - BLADE CONSOLE 200x47



BDK14047 - BLADE MINI CABINET 140x47



BDD20047 - BLADE CABINET 200x47

Measurements are in millimeters.