

# SAR GUEST WOODEN LEG

Technical Data Sheet





## SAR GUEST WOODEN LEG

Designer: Z Design Team

With its deep seating and body embracing from both sides, Sar is extremely comfortable and inviting. It is possible to create warm and friendly waiting spaces in all kinds of venues. Different leg alternatives make Sar adaptable to various utility purposes.

### DESCRIPTIONS

---

#### LEG

Wooden base is made of 2nd class kiln-dried beech wood. Double coat polyurethane finish with flat varnish or lacquered paint on top of triple coat of polyurethane filling varnish are applied on the wooden surface to provide protection against external factors and for enhancing durability.

#### FRAME

Monoblock frame is made of polyurethane molded foam with a density of 55 kg/m<sup>3</sup> shaped in special molds. The seat part is upholstered with 2cm thick 28DNS gray foam and 2cm thick 25DNS HR foam on 12mm raw MDF material.

#### ACCESSORY

On the surface of the base in contact with the ground, there is a fixed studded plastic pad made of rigid plastic material.

#### AREA OF USE

Sar Guest Wooden Leg is designed for interiors such as office rooms, meeting rooms.

#### DESIGNER / COLLECTION

Sar Product Group was designed by Z Design Team. It was designed for 2022/2023 collection.

#### MATERIAL LIBRARY

You can access Zivella's library of wood, metal, fabric and artificial leather with the QR code below.



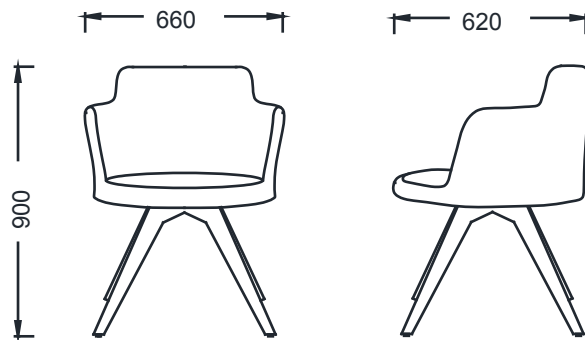
*Material Library*





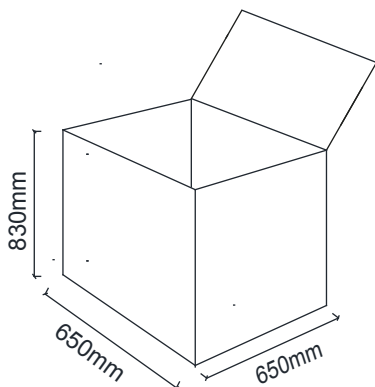
## SAR GUEST WOODEN LEG

### MEASUREMENTS



BRK202 - SAR GUEST WOODEN LEG

### Parcel Measurements



Unit of measurement is millimeters.