

# EVA EXECUTIVE CHAIR

Technical Data Sheet





# EVA

Designer: Z Design Team

Eva adds elegance to offices with its simple, slim and flexible design, while providing a comfortable and healthy posture with its ergonomically designed mesh backrest and curved seat.

## DESCRIPTIONS

### STAR LEG

Star leg; It is a 5 star leg made of impact and scratch resistant hard plastic material or chrome plated aluminium injection. Plastic feet are available in white or black colour alternatives.

### MECHANISM

Locking at 4 different reclining points, height adjustable and movement stiffness adjustable, double arm synchronous mechanism. Gas Lift: It is an imported gas, class4 shock absorber with conical fitting system to the leg and mechanism, which can be fixed at the desired sitting height.

### SEAT - BACKREST

The seat is upholstered with 5cm thick 35 HR sponge and 1cm thick grey sponge with 28 DNS density on the plastic cover under the seat, which is manufactured by plastic injection method in special moulds. The backrest is upholstered with mesh fabric on the back plastic frame manufactured by plastic injection method in special moulds. In order to provide an ergonomic seat, there is a lumbar support made of polyurethane pad material with up-and-down mobility. The seat and back plastic are available in white or black colour alternatives.

### HEADREST

The headrest, which is manufactured by plastic injection moulding in special moulds, is connected to the back part with fasteners. The headrest can be adjusted at the desired height for ergonomic use. There is a white or black colour alternative for the plastic headrest. The plastic frame is upholstered with 3cm thick grey sponge and fabric.

### ARMREST

The armrest can be height adjusted by means of a push-button, can move forwards-backwards and right-left; the armrest area is made of hard polypropylene plastic material with polyurethane pad, resistant to impacts and scratches.

### ACCESSORIES

Castor Wheels: They are 50mm diameter castors made of hard plastic material that can rotate in all directions with 11mm circlip.

### AREA OF USE

Eva Manager is designed for working areas such as executive rooms and offices.

### COLLECTION

Eva Manager is designed for 2022/2023 collection.

### MATERIALS

You can access Zivella's wood, metal, fabric and artificial leather materials with the following QR code.



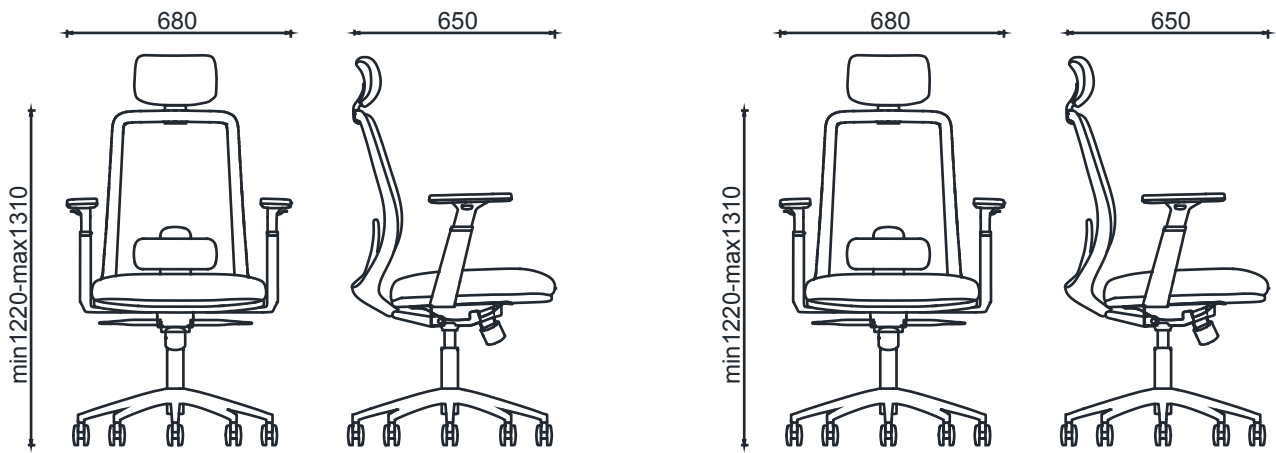
Material Library





EVA

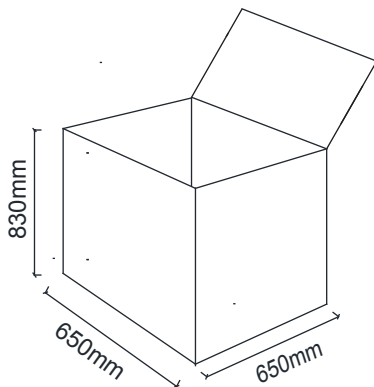
**MEASUREMENTS**



BRK48010S - EVA EXECUTIVE CHAIR BLACK(Plastic Leg-Synchronous Mechanism)  
 BRK48020S - EVA EXECUTIVE CHAIR BLACK(Alm. Leg-Synchronous Mechanism)

BRK48010B - EVA EXECUTIVE CHAIR WHITE(Plastic Leg-Synchronous Mechanism)  
 BRK48020B - EVA EXECUTIVE CHAIR WHITE(Alm. Leg-Synchronous Mechanism)

**Parcel Measurements**



Unit of measurement is millimeters.