

MASS EXECUTIVE DESKS

Technical Data Sheet





MASS EXECUTIVE DESKS

Designer: Adnan Serbest

Mass was designed to achieve a modern interpretation of natural themes blended with contemporary trends. Its simple and minimal appearance, enhanced by linear and mass approaches, provides a customizable combination that adapts to the user's character, adding calmness and strength to your workspace.

DESCRIPTION

METAL STRUCTURE

The leg structure of the desk is made from metal profiles with dimensions of 80x80x2 mm and 40x20x1.5 mm. Underneath the desk top, there is a frame made from 30x30x1.5 mm metal profiles and 80x10 mm metal strips. All metal parts are coated with a 90-micron thick textured (pebbled) electrostatic powder paint.

WOODEN STRUCTURE

The executive desk sets with codes MSA100250 and MSO100250 are produced with lacquer-painted 18 mm MDF material combined with leather. The desk sets with codes MKA100250 and MKO100250 are made from polished wood veneer-covered 18 mm MDF and 18 mm lacquered MDF material. The desk body and the leather desk pad are upholstered in faux leather or lacquer-painted. The base material of the desk is lacquer-painted MDF.

SIDE UNIT (ETAJER)

The side unit is made from lacquer-painted MDF or polished wood veneer-covered MDF. The handle recess is made from lacquer-painted or faux leather-covered material.

ELECTRIFICATION

The desk features one hidden-line concealed pop-up socket system (3 sockets + 1 USB + 1 HDMI).

ACCESSORIES

The pop-up socket system, used with a push-to-open mechanism, allows for cable entries and exits through the desk leg. Plastic height-adjustable feet (bingo feet) are used on the bottom surface of the metal legs where they touch the ground.

USAGE AREA

Mass Executive Desks are designed for executive offices.

DESIGNER / COLLECTION

Mass Meeting Tables were designed by Adnan Serbest for the 2022/2023 collection.

MATERIAL LIBRARY

Zivella; you can access the wood, metal, fabric, and faux leather library using the QR code below.



Material Catalog





MASS CONSOLE

Designer: Adnan Serbest

The Mass console can be produced in different combinations, with classic lacquer, leather, or melamine coating options. The console and side unit doors are handle-free. The sense of weight and presence in the space emphasizes the user's experience and status, reflecting the craftsmanship of the Mass product group.

DESCRIPTION

WOODEN STRUCTURE

The body and doors of the console are made from lacquer-painted 18 mm MDF or polished wood veneer-covered 18 mm MDF.

The handle recess of the console is upholstered in faux leather or lacquer-painted.

The base material of the console is lacquer-painted 18 mm MDF or faux leather upholstered material.

ACCESSORIES

The doors feature two special 45-degree corner hinges, one of which is soft-closing.

The base of the console uses plastic height-adjustable bingo feet.

USAGE AREA

The Mass Console is designed for executive offices.

DESIGNER / COLLECTION

The Mass Group was designed by Adnan Serbest for the 2022/2023 collection.

MATERIAL LIBRARY

Zivella; you can access the wood, metal, fabric, and faux leather library using the QR code below.



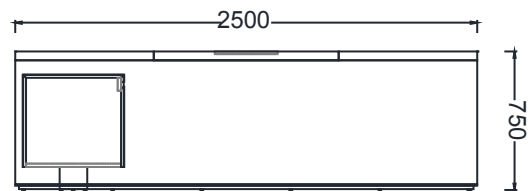
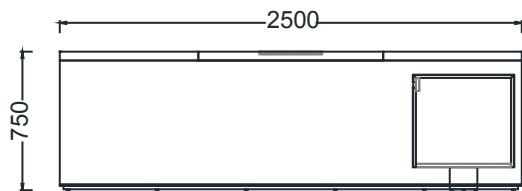
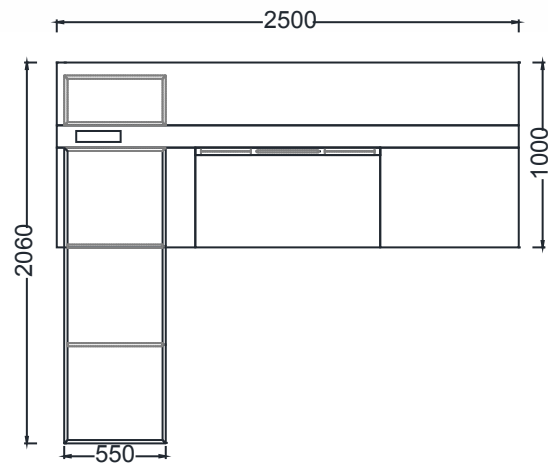
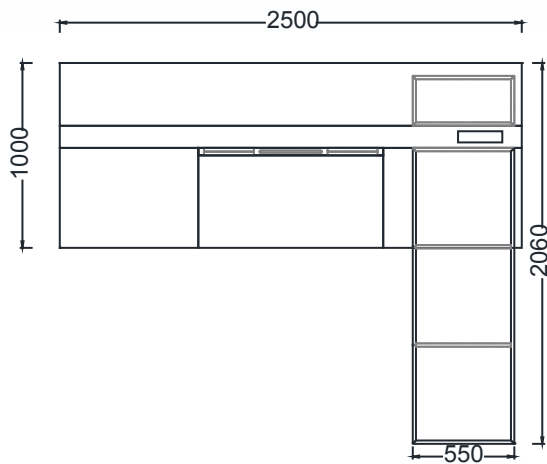
Material Catalog





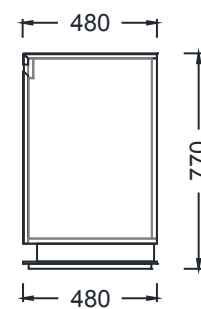
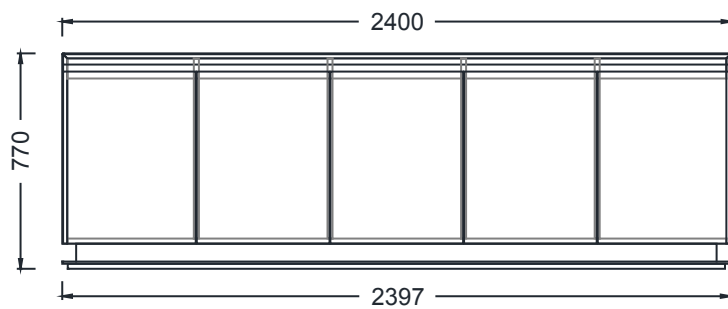
MASS GROUP

DIMENSIONS



MSA100250 - MASS DESK WITH RIGHT SIDE UNIT 100x250 (Lacquer-Leather)
MKA100250 - MASS DESK WITH RIGHT SIDE UNIT 100x250 (Veneer-Lacquer)

MSK24048 - MASS CONSOLE 240x48 (Lacquer-Leather)
MKK24048 - MASS CONSOLE 240x48 (Veneer-Lacquer)



MSO100250 - MASS DESK WITH LEFT SIDE UNIT 100x250 (Lacquer-Leather)
MKO100250 - MASS DESK WITH LEFT SIDE UNIT 100x250 (Veneer-Lacquer)

Measurements are in millimeters.