

# DELTA-K EXECUTIVE CHAIR

Technical Data Sheet





# DELTA-K EXECUTIVE CHAIR

Designer: Z Design Team

Delta-K attracts attention with its royal and simple design. It offers elegance and comfort together with its leather and fabric upholstery features.

## DESCRIPTIONS

---

### LEG

Star Base with 5 Bases is made of impact and scratch resistant hard plastic material or chrome surface coated aluminum.

### MECHANISM

4K certified, with a dual armed anti-shock system, which can be locked at 4 different lying points, and with adjustable height, stiffness of movement and angle of back inclination. It is produced with 3.5 mm thick Aluminum material.

Black import gas strut of class 4 tapered to base and mechanism, lockable at the desired sitting height.

### FRAME

The seat back was formed on plywood (double contra) shaped in special molds as a single piece, with Polyurethane pouring sponge produced in special molds. It is suitable for human ergonomics and is resistant to impact and breakage.

### ARMREST

The armrest area is a fixed armrest with a density of 55-60 kg/m<sup>2</sup>, made of polyurethane pouring sponge in special molds.

### ACCESSORY

Wheels are caster wheels with a diameter of 50mm and made of hard plastic with 11 mm grip ring.

### AREA OF USE

Delta-K Executive Chair is designed for interior spaces such as executive rooms.

### DESIGNER / COLLECTION

Delta-K Chair was designed by Z Design Team. It was designed for 2022/2023 collection.

### MATERIAL LIBRARY

You can access Zivella's library of wood, metal, fabric and artificial leather with the QR code below.

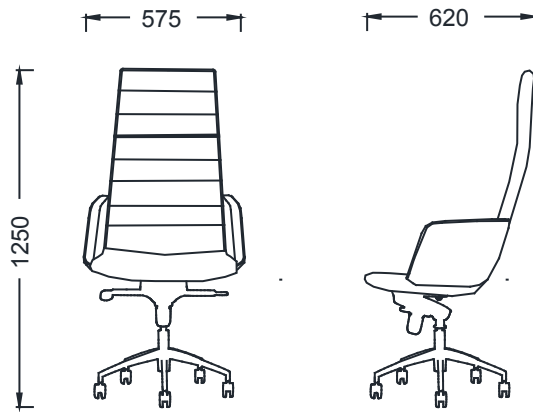


*Material Library*



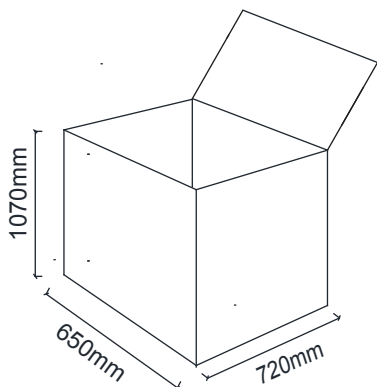
# DELTA-K EXECUTIVE CHAIR

## MEASUREMENTS



BRK38030 - DELTA-K EXECUTIVE CHAIR PLASTIC LEG  
BRK38031 - DELTA-K EXECUTIVE METAL LEG

## Parcel Measurements



Unit of measurement is millimeters.