

PLAN EXECUTIVE GROUP

Technical Data Sheet





PLAN EXECUTIVE DESK

Designer: Z Design Team

In a space where the executive spends more time than at home, holds numerous meetings throughout the day, hosts guests, and resolves crises, Plan fulfills all the functions expected of it. Plan, formed from the flawless combination of two different geometric forms, represents ease of communication.

DESCRIPTION

METAL STRUCTURE

A metal profile with dimensions of 40x20x1.5 mm and a 5 mm metal flat bar are used under the tabletop to ensure strength.

WOODEN STRUCTURE

The tabletop and desk legs are made from 30 mm thick E1 quality particle board, melamine-coated on both sides, with impact-resistant PVC edging.

All the panels of the credenza are also made from 30 mm and 18 mm thick E1 quality melamine-coated particle board. The drawer bases are produced from 8 mm thick particle board.

The credenza includes two recessed cable covers for cable management and plug unit positioning.

The credenza drawers and doors are handle-free, and a round plastic cable cover is used for cable routing through the credenza base.

ACCESSORIES

The table panels are demountable, and Minifix, double-sided Minifix, and dowel connection elements are used for assembly.

The legs are equipped with hard plastic glides.

The doors are fitted with Hafele brand internal spring hinges, both soft-closing and regular.

The drawer slides are 30 cm and 40 cm deep telescopic slides with a soft-closing mechanism.

USAGE AREA

The Plan Executive Group is designed for executive offices.

DESIGNER / COLLECTION

The Plan Executive Group was designed by Z Design Team for the 2022/2023 collection.

MATERIAL LIBRARY

Zivella; you can access the wood, metal, fabric, and faux leather library using the QR code below.



Material Catalog

Electrification Solution





PLAN CONSOLE

Designer: Z Design Team

In a space where the executive spends more time than at home, holds numerous meetings throughout the day, hosts guests, and resolves crises, Plan fulfills all the functions expected of it.

DESCRIPTION

WOODEN STRUCTURE

The console tabletop and base are made from 18 mm thick E1 quality particle board, melamine-coated on both sides, with impact-resistant PVC edging.

The entire console is made from the same material, with 8 mm thick particle board used for drawer bases. The drawers and doors are handle-free.

ACCESSORIES

Minifix metal connectors (M68 mm) and 832 mm plastic dowels are used for assembly.

Hafele brand internal spring hinges with soft-closing mechanisms are used for the doors.

Fixed plastic glides are used under the console base.

USAGE AREA

The Plan Console is designed for executive offices.

DESIGNER / COLLECTION

The Plan Executive Group was designed by Z Design Team for the 2019/2020 collection.

MATERIAL LIBRARY

Zivella; you can access the wood, metal, fabric, and faux leather library using the QR code below.



Material Catalog



PLAN BOOKSHELF

Designer: Z Design Team

A stylish option where functionality and aesthetics meet...

DESCRIPTION

METAL STRUCTURE

The bookshelf consists of two modules made from Q22 mm diameter DKP tubes and 10x10 mm metal flat bars. All metal parts are coated with a 90-micron thick textured electrostatic powder paint.

WOODEN STRUCTURE

The shelves and cabinets are made from 18 mm thick MDF. The MDF can be either wood-veneered or lacquered. The shelves and cabinets of the product with the code PLK34631S are made from 18 mm thick E1 quality melamine-coated particle board.

ACCESSORIES

Q21 mm diameter plastic caps are used under the metal tubes to prevent direct contact with the floor.
128 mm long metal handles are used for the cabinet doors.
The wooden structure is connected to the metal structure using brackets and 3,5x18 chipboard screws.
Hafele brand soft-closing internal spring hinges are used for the cabinet doors.

USAGE AREA

The Plan Bookshelf is designed for executive offices.

DESIGNER / COLLECTION

The Plan Executive Group was designed by Z Design Team for the 2019/2020 collection.

MATERIAL LIBRARY

Zivella; you can access the wood, metal, fabric, and faux leather library using the QR code below.

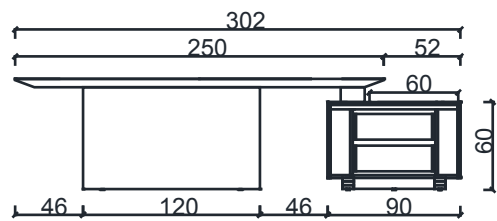
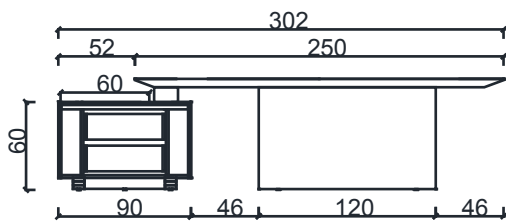
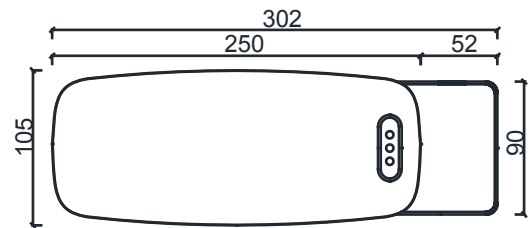
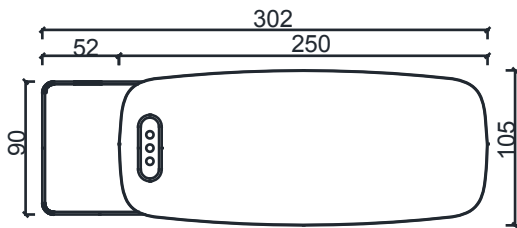


Material Catalog



PLAN SQUARE DESK WITH CREDENZA

DIMENSIONS



PKMA250100 - Plan Right Square Desk with Credenza

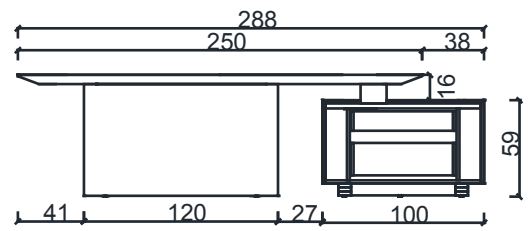
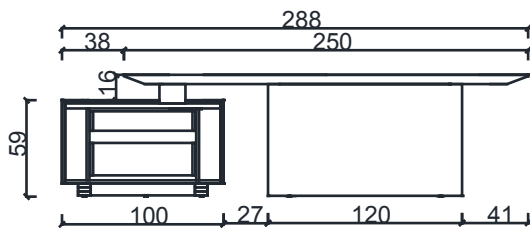
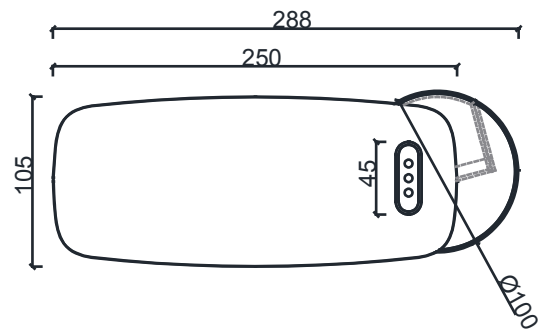
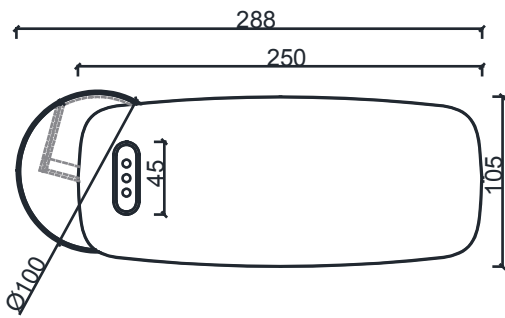
PKMO250100 - Plan Left Square Desk with Credenza

Measurements are in millimeters.



PLAN ROUND DESK WITH CREDENZA

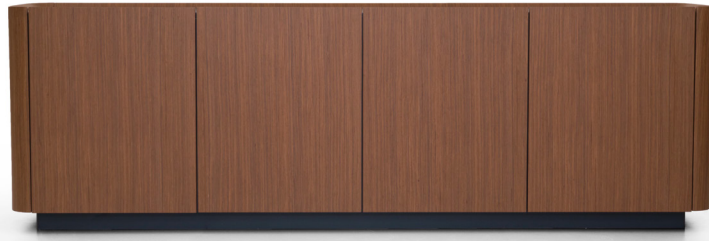
DIMENSIONS



PYMA250100 - Plan Right Round Desk with Credenza

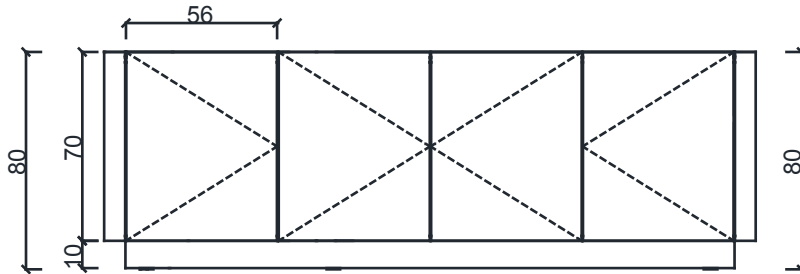
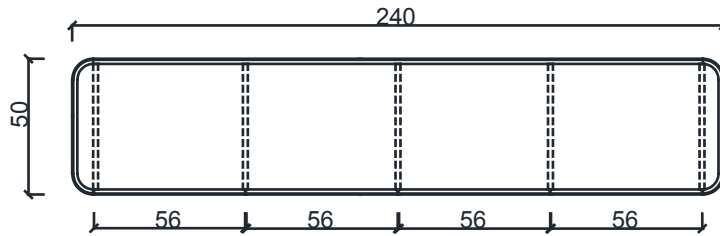
PYMO250100 - Plan Left Round Desk with Credenza

Measurements are in millimeters.



DIMENSIONS

PLAN CONSOLE



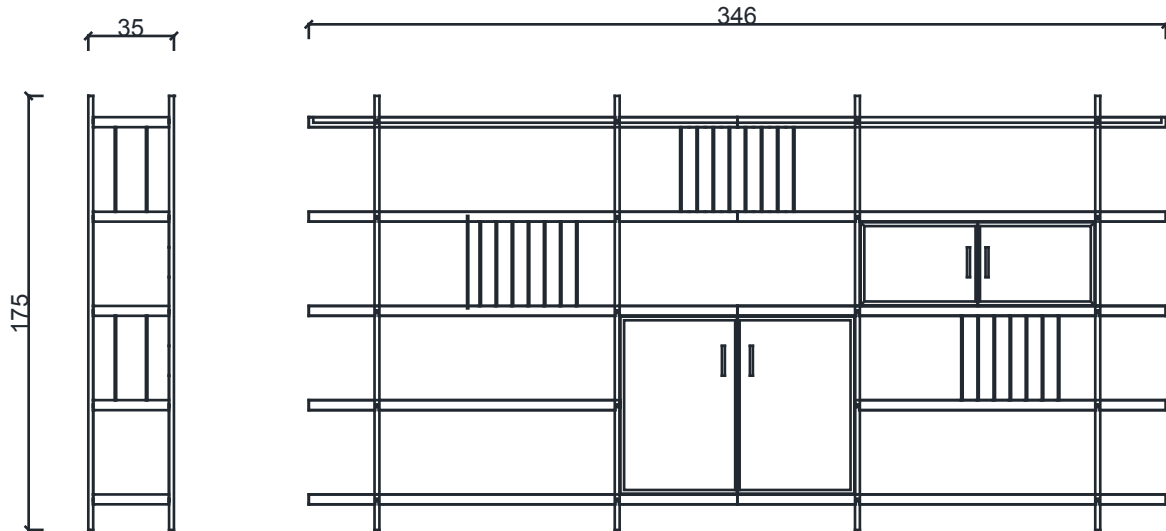
PLK24050 - Plan Console

Measurements are in millimeters.



DIMENSIONS

PLAN BOOKSHELF



PLK34631 - Plan Bookshelf
PLK34631S - Plan-S Bookshelf

Measurements are in millimeters.