

# SAR GUEST METAL LEG

Technical Data Sheet





## SAR GUEST METAL LEG

Designer: Z Design Team

With its deep seating and body embracing from both sides, Sar is extremely comfortable and inviting. It is possible to create warm and friendly waiting spaces in all kinds of venues. Different leg alternatives make Sar adaptable to various utility purposes.or.

### DESCRIPTIONS

---

#### LEG

The metal base is manufactured from DKP metal profile tube with Q28mm diameter and 2mm wall thickness. For the connection between the base and polyurethane, 5mm metal sheet welded to the base is used. The base has electrostatic powder coating (oven-dying) or is chrome plated.

#### FRAME

Monoblock frame is made of polyurethane molded foam with a density of 55 kg/m<sup>3</sup> shaped in special molds. The seat part is upholstered with 2cm thick 28DNS gray foam and 2cm thick 25DNS HR foam on 12mm raw MDF material.

#### ACCESSORY

On the surface of the base in contact with the ground, there is a fixed internal oval pad made of rigid plastic material.

#### AREA OF USE

Sar Guest Metal Leg is designed for interiors such as office rooms, meeting rooms.

#### DESIGNER / COLLECTION

Sar Product Group was designed by Z Design Team. It was designed for 2022/2023 collection.

#### MATERIAL LIBRARY

You can access Zivella's library of wood, metal, fabric and artificial leather with the QR code below.



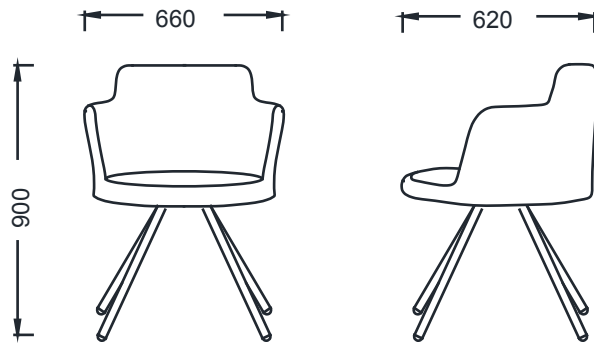
*Material Library*





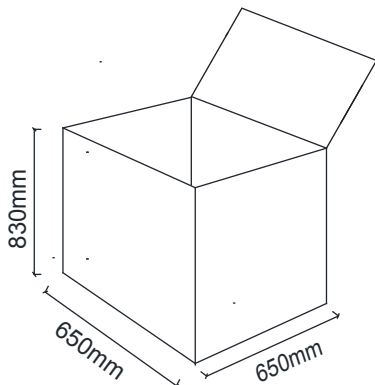
## SAR GUEST METAL LEG

### MEASUREMENTS



BRK203 - SAR GUEST METAL LEG (Static)  
BRK203K - SAR GUEST METAL LEG (Chrome)

### Parcel Measurements



Unit of measurement is millimeters.