

# TOY

Technical Data Sheet





# TOY

Designer: Alp Nuhođlu

With its modern and unique design, Toy brings a cheerful atmosphere to any environment. Its aesthetic, simple, and smiling form softens the intensity of workspaces.

## EXPLANATIONS

### UPHOLSTERY

The Toy pouf is made from polyurethane foam with a density of 65 kg/m<sup>3</sup>, molded in special forms. The internal structure of the Toy polyurethane is composed of specially molded plywood material. It is upholstered with either artificial leather or fabric.

### ACCESSORIES

Feet: The product uses height-adjustable M6 bingo feet made from hard polypropylene plastic to prevent direct contact with the ground.

### USAGE AREA

Toy is designed for use in offices, hospitals, schools, and waiting areas.

### DESIGNER / COLLECTION

Toy was designed by Alp Nuhođlu for the 2019/2020 collection.

### MATERIAL LIBRARY

Zivella; you can access the wood, metal, fabric, and faux leather library using the QR code below.



Material Catalog

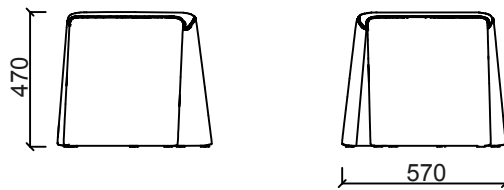
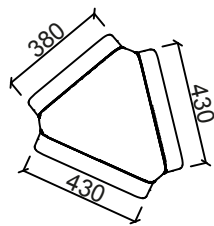


**BIGSEE  
PRODUCT DESIGN  
AWARD 2020  
WINNER**



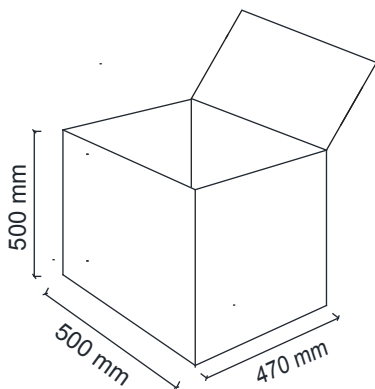
**DIMENSIONS**

**TOY**

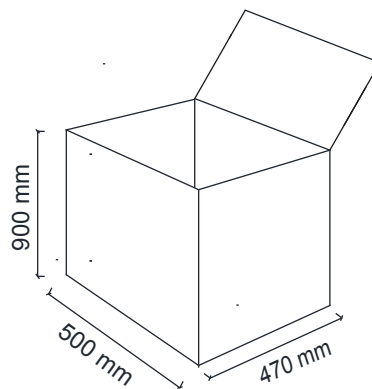


BRK2150 - TOY

**Single Box Dimensions**



**Double Box Dimensions**



Measurements are in millimeters.