

AERO SOFA

Technical Data Sheet





AERO SOFA

Designer: Selami Gündüzeri

Aero, named after the aerodynamic structure of aviation wings, blends beauty and high-level comfort in modern living and working environments with its basic form and distinctive design approach.

DESCRIPTIONS

FRAME - UPHOLSTERY

The seat and back's inner skeleton are made of second-class kiln-dried beech timber. In the upper part of the session, a soft sponge with a thickness of 16 cm is used. A 5 cm-thick, soft sponge is used in the back and arm sections.

METAL LEGS

Metal legs are made of 10 mm wall thickness, laser-cut DKP sheets.

ACCESSORY

Leg Shoes: Double-claw plastic leg shoes made of durable plastic material are used where the product comes into touch with the ground.

USAGE AREA

The Aero Sofa is designed for interiors such as executive rooms and reception areas.

DESIGNER / COLLECTION

Aero Sofa was designed by Selami Gündüzeri for the 2024/2025 collection.

MATERIALS LIBRARY

Zivella wood, metal, fabric, and artificial leather materials library can be accessed with the QR code below.

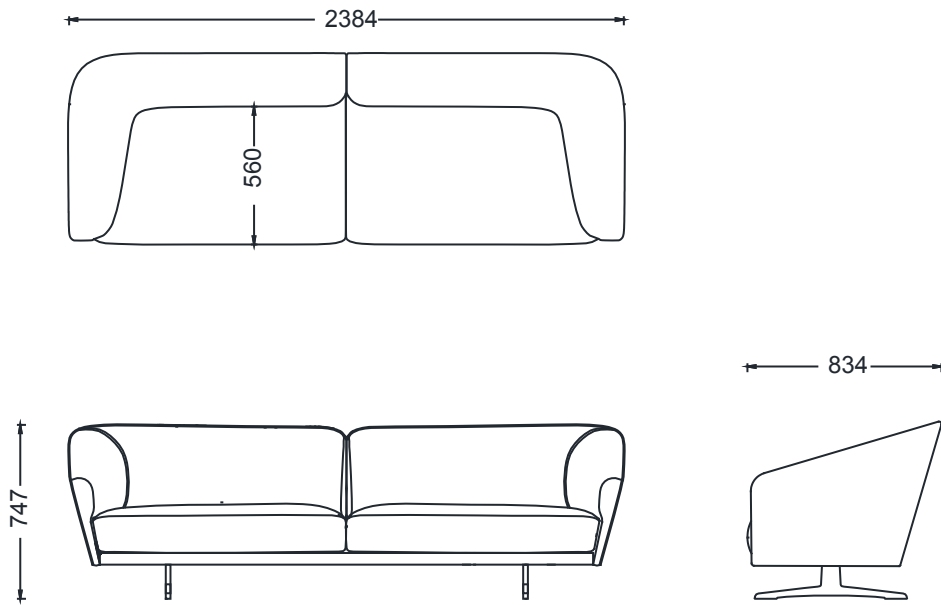


Materials Library



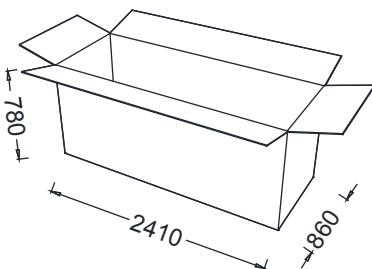
AERO SOFA

MEASUREMENTS



BRK2090 - AERO SOFA

Parcel Measurements



Unit of measurement is millimeters.