

STOR FULL-COVERED CABINET

Technical Data Sheet





STOR FULL-COVERED CABINET

Designer: Z Design Team

Zivella's Storage Systems, used in operational, managerial, and shared spaces, stand out with their elegance while offering functionality that meets various needs simultaneously. Their perfectly integrated structures allow office cabinets to also serve as partition panels.

EXPLANATIONS

STRUCTURE

The cabinet bodies are made from E1 quality, 18 mm thick melamine-coated particle board on both sides.

The edges of the cabinet components are protected with 1 mm thick impact-resistant PVC edging.

The back panels of the file cabinets are made from 18 mm thick, double-sided melamine-coated particle board to ensure the cabinet's alignment and provide visual symmetry with the doors.

CONNECTIONS AND ACCESSORIES

The connections are made using German-made Hafele brand M68 mm diameter, 10 mm minifix metal connection mechanisms, and 832 mm plastic dowels.

Hinges: Each door has one first-quality internal spring hinge, with one featuring a soft-closing mechanism, made by Hafele.

Feet: The cabinet has height-adjustable plastic feet, sized Q5 cm with a height of 5 cm, produced via injection molding.

Handles: The handles are made from 128 mm electrostatically painted aluminum, produced via injection molding in special molds.

USAGE AREA

The Stor Full-Covered Cabinet Group is designed for use in offices, open offices, meeting rooms, executive offices, and home workspaces.

DESIGNER / COLLECTION

The Stor Full-Covered Cabinet Group was designed by Z Design Team for the 2019/2020 collection.

MATERIAL LIBRARY

Zivella; you can access the wood, metal, fabric, and faux leather library using the QR code below.

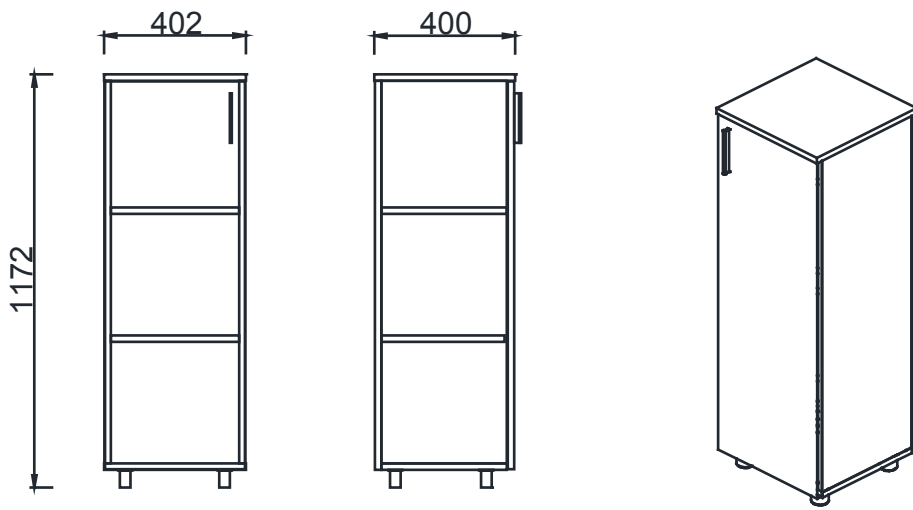


Material Catalog

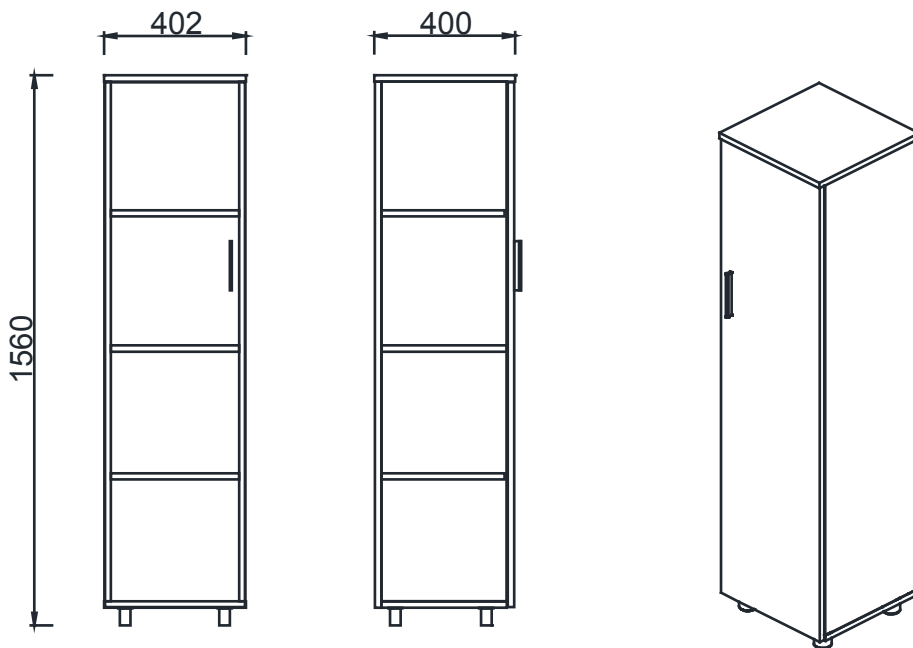


STOR FULL-COVERED CABINET

DIMENSIONS



BRD40120 - STOR 40-T120



BRD40160 - STOR 40-T160

Measurements are in millimeters.