

# TOTEM

Technical Data Sheet





# TOTEM

Designer: Alp Nuhođlu

A chair that adds spirit to the space as an iconic design object.

## EXPLANATIONS

---

### UPHOLSTERY

The Totem Chair is made from polyurethane molded foam with a density of 65 kg/m<sup>3</sup>, shaped in special molds. The internal structure of the Totem polyurethane includes pipe profiles that have been shaped with CNC bending in special molds. It is upholstered with either artificial leather or fabric.

### ACCESSORIES

Feet: The product features height-adjustable M6 bingo feet made from hard polypropylene plastic to prevent direct contact with the floor.

### USAGE AREA

Totem is designed for offices, hospitals, schools, and waiting areas.

### DESIGNER / COLLECTION

Totem was designed by Alp Nuhođlu for the 2018/2019 collection.

### MATERIAL LIBRARY

Zivella; you can access the wood, metal, fabric, and artificial leather library via the QR code below.



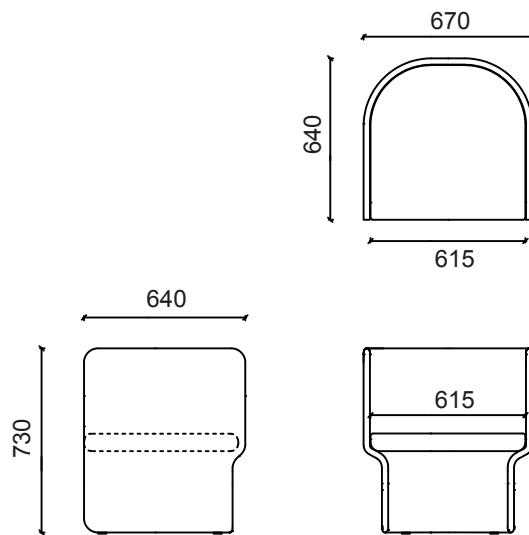
*Material Catalog*





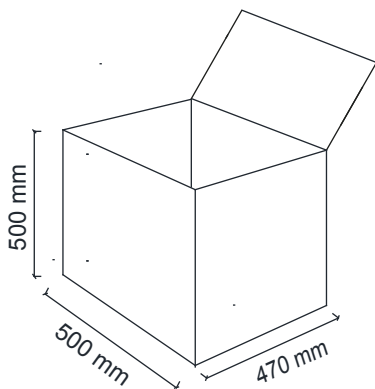
**DIMENSIONS**

**TOTEM**



BRK1650 - TOTEM

**Single Package Dimensions:**



Measurements are in millimeters.