

MILA SINGLE DESK

Technical Data Sheet





MILA SINGLE DESK

Designer: Adnan Serbest

Mila stands out as a product group that conveys minimalism with understated details, living simplicity and sharing these principles with its users. Mila Single Desks offer a fresh look to minimal spaces in your office while providing a solution for basic needs with their drawer unit.

DESCRIPTION

METAL STRUCTURE

The metal legs are made from 25x25x1.5 mm metal profiles. A welded tabletop connection part made from 5 mm thick DKP steel is attached to the top of the metal legs, produced using CNC laser cutting. All metal parts are coated with a 90-micron thick textured (pebbled) electrostatic powder paint. They can be painted in any static color from the Zivella Metal Color Chart.

WOODEN STRUCTURE

The desk top, modesty panel, and separator are made from 25 mm thick melamine-coated particle board. The desk top, modesty panel, and separator can be produced in all colors and patterns from the Zivella Particle Board Color Chart.

ACCESSORIES

The desk top, modesty panel, and separator are connected to each other using Minifix, plastic dowels, and screws. The desk top and legs are connected to each other using wood screws attached to the metal sheets on the legs. Height-adjustable plastic bingo feet are used on the bottom of the metal legs where they make contact with the floor.

USAGE AREA

Mila Single Desks are designed for workspaces such as offices.

DESIGNER / COLLECTION

Mila Single Desks were designed by Adnan Serbest for the 2022/2023 collection.

MATERIAL LIBRARY

Zivella; you can access the wood, metal, fabric, and faux leather library using the QR code below.

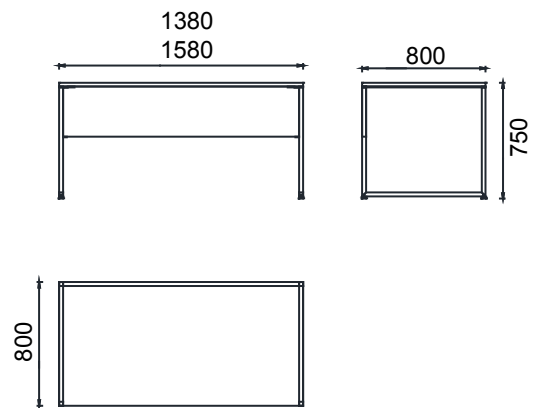
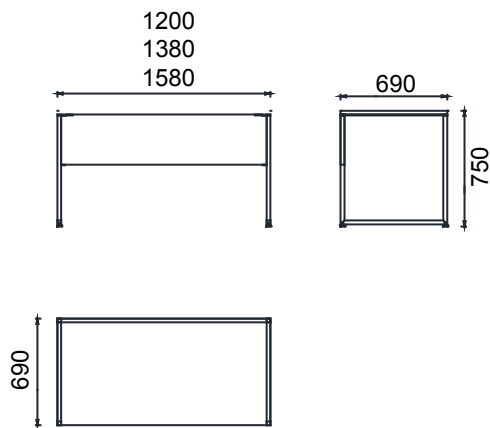


Material Catalog



DIMENSIONS

MILA SINGLE DESK



MTM70120 - MILA SINGLE DESK 70X120
MTM70140 - MILA SINGLE DESK 70X140
MTM70160 - MILA SINGLE DESK 70X160

MTM80140 - MILA SINGLE DESK 80X140
MTM80160 - MILA SINGLE DESK 80X160

Measurements are in millimeters.