

VENN MEETING TABLES

Technical Data Sheet





VENN MEETING TABLES

Designer: Adnan Serbest

Designed with the aesthetic harmony of metal and wood, the Venn Meeting Table captures simplicity with its dynamic and linear appearance, while also providing movement to the space as needed.

DESCRIPTION

METAL STRUCTURE

Frame: The frame is made from metal profiles sized 30x30, 50x30, and 80x20 mm, produced from 1.5 mm thick DKP steel, shaped in special molds. On both sides of the central legs, there are two 1 mm thick, CNC-cut, electrostatically oven-painted DKP steel sheets that help manage and conceal cables.

Metal Legs: The metal legs are made from 80x10 mm sheets, CNC-cut, and shaped in special molds. They are electrostatically powder-coated.

All metal parts are painted with a 90-micron thick textured (pebbled) electrostatic powder paint and can be painted in any static color from the Zivella Metal Color Chart.

WOODEN STRUCTURE

Veneer Top: Venn meeting table tops are made from E1 quality 18 mm particle board, veneered on both sides, with a 50 mm deep frame made from E1 quality 30 mm MDF material. All four edges are protected with 1 mm thick impact-resistant PVC edging.

Melamine Top: Venn meeting table tops are made from E1 quality 18 mm particle board, melamine-coated on both sides, with a 50 mm deep frame made from E1 quality 30 mm particle board. All four edges are protected with 2 mm thick impact-resistant PVC edging.

Modesty Panel: The modesty panels are made from E1 quality 18 mm particle board, melamine-coated on both sides. All edges are protected with 1 mm thick PVC edging. Cables are routed through the modesty panel.

ACCESSORIES

Feet: Adjustable plastic bingo feet with a diameter of 28 mm and M8 screws are used under the legs to prevent direct contact with the floor.

Socket Box: A Tway socket box (3 standard outlets, 3 UPS, 1 CAT6, 1 CAT3, 1 USB, and HDMI), measuring 370x130 mm, made from aluminum injection material.

Connection Plates: The traverses are connected to the legs using U-shaped steel plates (100x25x44 mm) made from 3 mm thick steel, CNC-cut and bent in special molds.

USAGE AREA

Venn Meeting Tables are designed for workspaces such as offices.

DESIGNER / COLLECTION

Venn Meeting Tables were designed by Adnan Serbest for the 2022/2023 collection.

MATERIAL LIBRARY

Zivella; you can access the wood, metal, fabric, and faux leather library using the QR code below.

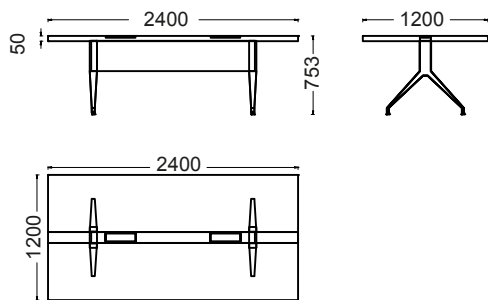


Material Catalog

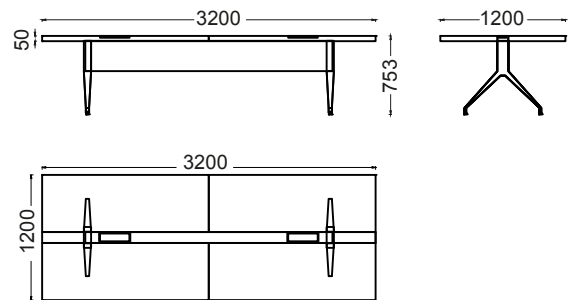


VENN MEETING TABLES

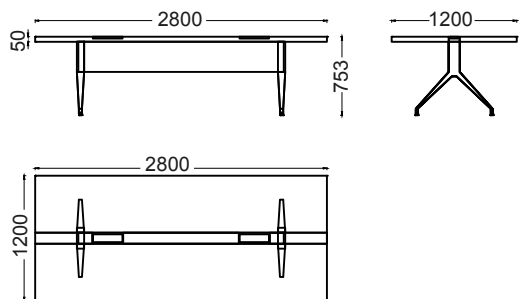
DIMENSIONS



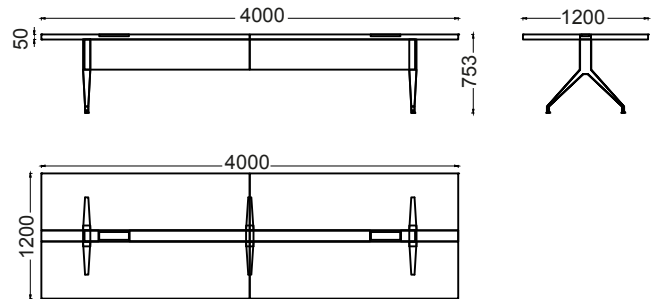
VLT240120 - VENN 240 MEETING TABLE (LACQUER)
VKT240120 - VENN 240 MEETING TABLE (VENEER-LACQUER)



VLT320120 - VENN 320 MEETING TABLE (LACQUER)
VKT320120 - VENN 320 MEETING TABLE (VENEER-LACQUER)



VLT280120 - VENN 280 MEETING TABLE (LACQUER)
VKT280120 - VENN 280 MEETING TABLE (VENEER-LACQUER)



VLT400120 - VENN 400 MEETING TABLE (LACQUER)
VKT400200 - VENN 400 MEETING TABLE (VENEER-LACQUER)

Measurements are in millimeters.