

# KOZA

Technical Data Sheet





## KOZA

Designer: Z Design Team

Koza turns heads with its simple and robust design.

Offering simplicity and comfort in unity, Koza is made to give an innovative and modern mood to where it is found particularly with its vibrant colours.

### DESCRIPTIONS

---

#### FRAME

Backrest: The backrest is made of 3rd grade air-dried massive beech and 18 mm CNC-cut particleboard.

5cm-thick HR sponge of 35 DNS and 1cm-thick grey sponge are used in the backrest with 1 cm-thick bondex sponge to form outer lines.

Seat: The seat is made of 3rd grade air-dried massive beech and 18 mm CNC-cut particleboard. 8cm thick HR sponge of 35 DNS is used in the seat.

#### METAL LEG

It is made of Q22 and 1,5 mm metal profile tube and metal profile in the size of 30x10x1.5 and 30x30x1.5 mm. On the surface of metal base, electrostatic oven coating or heat-treated chrome plating is used to give resistance to oxidizing and corrosion. Metal leg is coated with 90 micron-thick rough-textured powder coating using electrostatic powder coating.

#### ACCESSORY

Foot: Fit-in feet for Q22 tube made of hard plastic are used in the floor contacting part of the metal leg.

#### AREA OF USE

D-Armchair is designed for lobbies, office rooms and home-type interior spaces.

#### DESIGNER / COLLECTION

Koza Product Group is designed by Z Design Team. It was designed for 2020/2021 collection.

#### MATERIAL LIBRARY

Scan the QR code below to access Zivella's wood, metal, fabric and faux leather library.



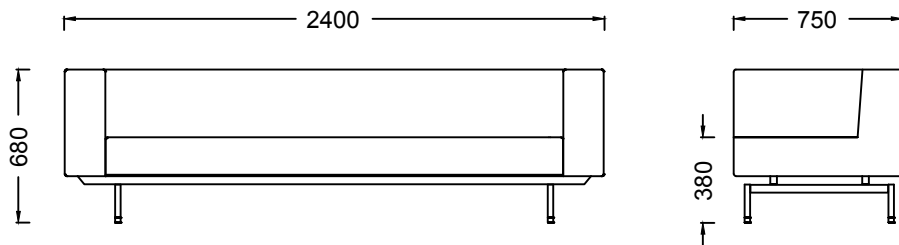
*Material Catalog*



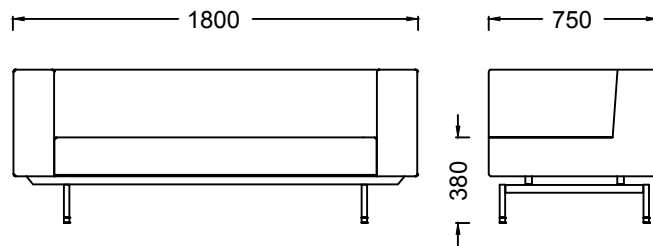


KOZA

**MEASUREMENTS**

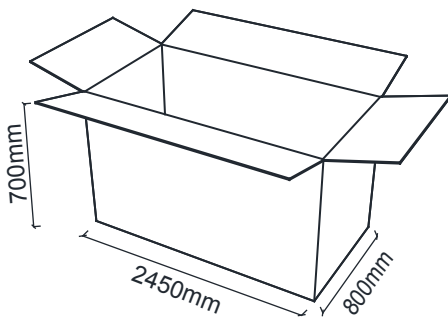


BRK2053 - KOZA TRIPLE

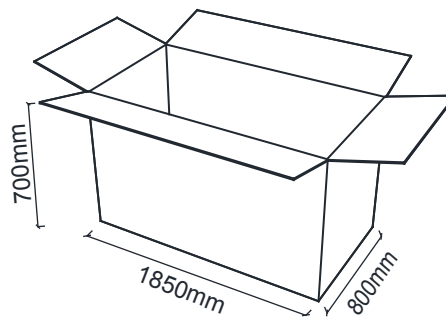


BRK2052 - KOZA DOUBLE

**Parcel Measurements**



BRK2053 - KOZA TRIPLE



BRK2052 - KOZA DOUBLE

Unit of measurement is millimeters.