

KULA COFFEE TABLE GROUP

Technical Data Sheet





KULA COFFEE TABLE GROUP

Designer: Z Design Team

Kula, with its wooden texture, offers an elegant and minimalist appearance. Its rounded edges, dimensions, and timeless design make it a complementary piece for many sofas.

EXPLANATIONS

STRUCTURE

The wooden legs are made from first-grade kiln-dried solid beech wood.

To protect the wooden surface from external factors and ensure color consistency with the tabletop, a lacquer finish is applied.

On the part of the legs that makes contact with the floor, hard polypropylene plastic nail caps are used.

The legs can be painted in any lacquer color from the Zivella Color Catalog.

TABLETOP

The tabletop is made from 8 mm thick E1 quality particle board, melamine-coated on both sides, with 1 mm thick impact-resistant PVC edging, or an alternative of 8 mm MDF with a wooden veneer.

The bottom reinforcement is made from 18 mm thick lacquered MDF material.

The color selection for the tabletop is available in all melamine colors and veneer options from the Zivella Color Catalog.

ACCESSORIES

Feet: Nail caps made from hard polypropylene plastic are used on the parts of the legs that contact the floor.

USAGE AREA

The Kula Coffee Table Group is designed for executive offices, meeting rooms, workspaces, and common areas.

DESIGNER / COLLECTION

The Kula Coffee Table Group was designed by Z Design Team for the 2021/2022 collection.

MATERIAL LIBRARY

Zivella; you can access the wood, metal, fabric, and faux leather library using the QR code below.

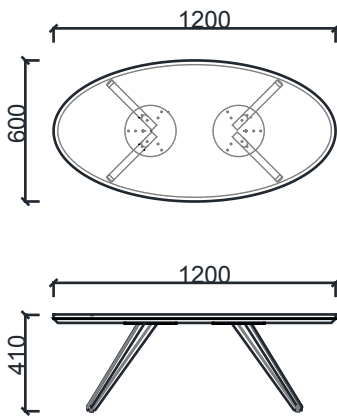


Material Catalog

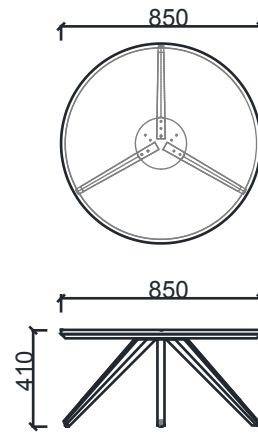


KULA COFFEE TABLE GROUP

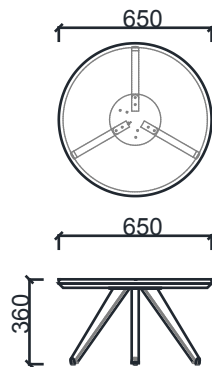
DIMENSIONS



KLK12060 - KULA ELLIPTICAL COFFEE TABLE (120x60x35h)
 KLK12060 - KULA ELLIPTICAL COFFEE TABLE (120x60x35h)



KLKQ85 - KULA ROUND COFFEE TABLE (Diameter: 85x40h)
 KLMQ85 - KULA ROUND COFFEE TABLE (Diameter: 85x40h)



KLKQ65 - KULA ROUND COFFEE TABLE (Diameter: 65x35h)
 KLMQ65 - KULA ROUND COFFEE TABLE (Diameter: 65x35h)

Measurements are in millimeters.