

# SAR MEETING CHAIR

Technical Data Sheet





## SAR MEETING CHAIR

Designer: Z Design Team

With its deep seating and body embracing from both sides, Sar is extremely comfortable and inviting. It is possible to create warm and friendly waiting spaces in all kinds of venues. Different leg alternatives make Sar adaptable to various utility purposes.

### DESCRIPTIONS

---

#### LEG

The metal base is a conical base with a diameter of Q25mm and a wall thickness of 2mm, shaped by CNC bending in special molds. It is an electrostatic oven-dyed base.

#### UPHOLSTERY

Monoblock frame is made of polyurethane molded foam with a density of 55 kg/m<sup>3</sup> shaped in special molds. The seat part is upholstered with 2cm thick 28DNS gray foam and 2cm thick 25DNS HR foam on 12mm raw MDF material.

#### ACCESSORY

The caster wheels are 50mm diameter wheels made of rigid plastic that can rotate in all directions with 11mm stem.

#### AREA OF USE

Sar Meeting Chair is designed for interiors such as office rooms, meeting rooms.

#### DESIGNER / COLLECTION

Sar Product Group was designed by Z Design Team. It was designed for 2022/2023 collection.

#### MATERIAL LIBRARY

You can access Zivella's library of wood, metal, fabric and artificial leather with the QR code below.



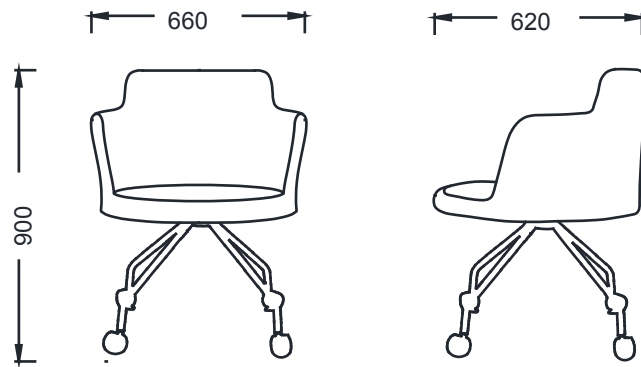
*Material Library*





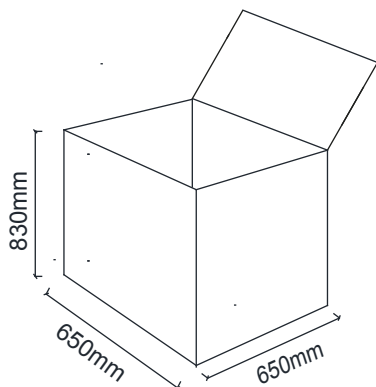
## SAR MEETING CHAIR

### MEASUREMENTS



BRK201 - SAR MEETING (Static)  
BRK201K - SAR MEETING (Chrome)

### Parcel Measurements



Unit of measurement is millimeters.