



TIM CHAIR

Technical Data Sheet



TIM CHAIR

Design: Z Design Team

Tim is a versatile and customizable chair that stands out with its linear design and simplicity. With options such as sleeved and sleeveless, different leg, color and upholstery options, you can personalize it to match your gusto.

DESCRIPTIONS

METAL LEG

It is manufactured from Q17x2 mm pipe with CNC bending. On the metal leg surface; 90 micron thick textured electrostatic powder oven paint is used.

The metal legs are one piece with 5 mm thick DKP metal sheet, and the connection to the seat is made with this sheet.

In BYP-K coded products, chrome plating surface process is applied to metal legs.

METAL ARM

Q17 is manufactured by drawing from DKP sheet with a diameter of 17 mm and a wall thickness of 2 mm and the metal profile is produced by CNC bending in special molds. On the metal arm surface; 90 micron thick textured electrostatic powder oven paint is used.

In BYP-K coded products, chrome plating surface process is applied to metal arms.

PLASTIC FRAME

Manufactured by plastic injection from polypropylene material shaped in special molds.

UPHOLSTERY

The back is made of 10 mm thick sponge and fabric with a density of 28 DNS on a polypropylene plastic body formed in special molds.

For TIM-Y coded products, it is for the fully furnished plastic body.

The seat is formed in special molds and covered with sponge and fabric with a density of 28 DNS and a thickness of 20 mm on a polypropylene plastic seat font.

For products with TIM-P code, only for chairs with upholstered seats.

ACCESSORY

The part of the legs in contact with the ground has internal inserts made of hard polypropylene plastic material.

AREA OF USE

Tim Chairs are designed for interior spaces such as executive rooms, meeting rooms and workspaces.

DESIGNER / COLLECTION

Tim Chair Product Group was designed by Z Design Team. It was designed for 2022/2023 collection.

MATERIAL LIBRARY

You can access Zivella's library of wood, metal, fabric and artificial leather with the QR code below.

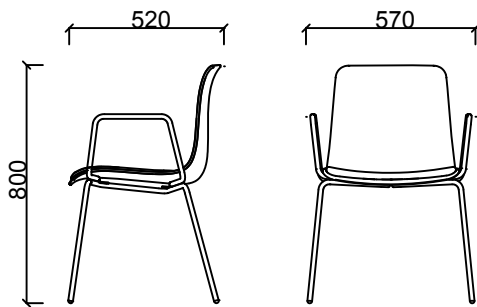


Material Library

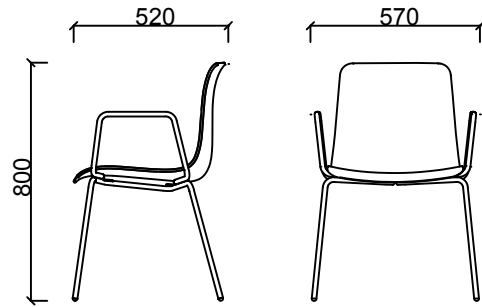


TIM CHAIR

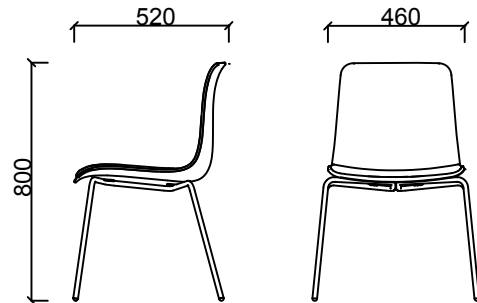
MEASUREMENTS



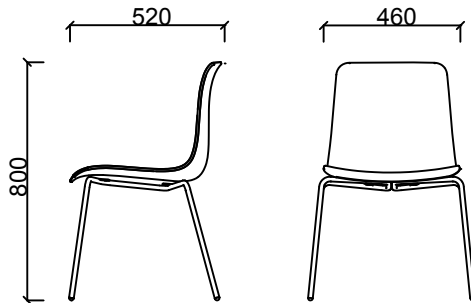
BYP123 - TIM-P CHAIR W/ARM STATIC
BYP123K - TIM-P CHAIR W/ARM CHROME



BYP121 - TIM CHAIR W/ARM STATIC / BYP121K- TIM CHAIR W/ARM CHROME
BYP125- TIM-Y CHAIR W/ARM STATIC / BYP125K TIM-Y CHAIR W/ARM CHROME

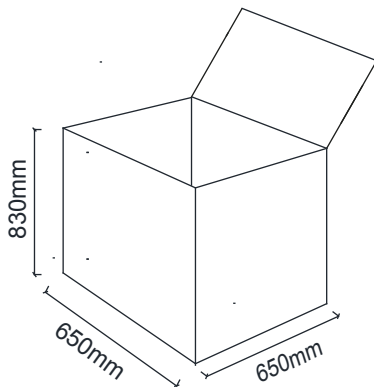


BYP122 - TIM-P CHAIR STATIC
BYP122K - TIM-P CHAIR CHROME



BYP120 - TIM CHAIR STATIC / BYP120K-TIM CHAIR CHROME
BYP124 -TIM-Y CHAIR STATIC / BYP124K -TIM-Y CHAIR CHROME

Parcel Measurements



Unit of measurement is millimeters.