

IKA BAR

Technical Data Sheet





IKA BAR

Designer: Z Design Team

Ika is a symbol of the emerging new trend in the world. Making a difference with its design that offers high seating, Ika is perfect for a meeting or a chat in private areas.

DESCRIPTIONS

LEG

Wooden Leg: Ika Wooden Leg Bar Chair is made of solid beech wood. There is an extrusion longitudinal profile detail made of aluminum material on the footing surfaces.

UPHOLSTERY

Seat: For the seat, 3 cm thick sponge with 28 DNS density is laid on 12 mm raw MDF material.

ACCESSORY

Glides: Studded polygrip glides are used under the wooden legs to prevent contact with the ground.

AREA OF USE

Ika Bar Chairs are designed for interiors such as offices and meeting rooms.

DESIGNER / COLLECTION

Ika Bar Chairs was designed by Z Design Team. It was designed for 2022/2023 collection.

MATERIAL LIBRARY

You can access Zivella's library of wood, metal, fabric and artificial leather with the QR code below.

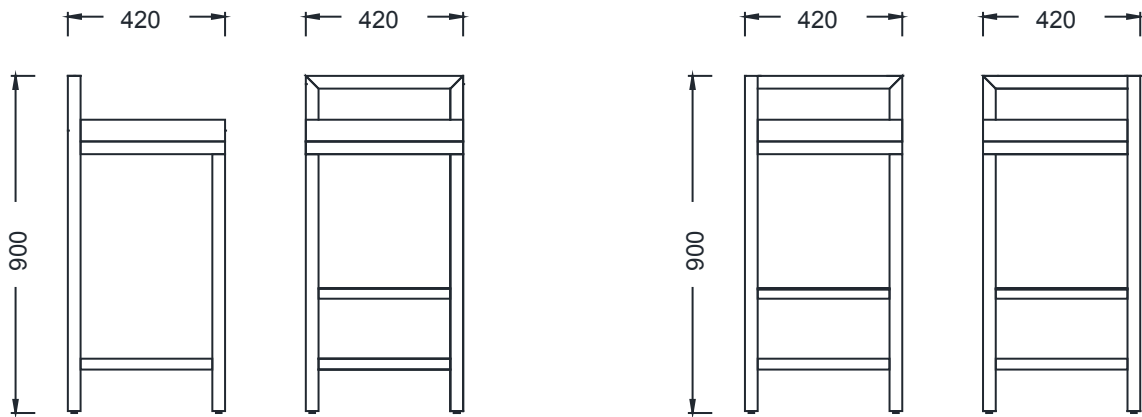


Material Library



IKA BAR

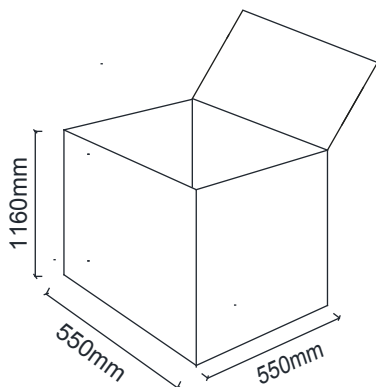
MEASUREMENTS



BYB210 - IKA BAR

BYB211 - IKA-C BAR CORNER

Parcel Measurements



Unit of measurement is millimeters.