

MIO MEETING TABLES

Technical Data Sheet





MIO MEETING TABLES

Designer: Klan Studio & Z Design Team

The Mio Meeting Tables support a holistic design approach in office environments with their minimalist design, lightweight yet durable metal legs, and a variety of shapes and sizes.

DESCRIPTION

METAL LEGS

The table legs are made from aluminum material, shaped using an injection molding production method in special molds. They can be painted in any static color from the Zivella Metal Color Chart.

METAL CENTER LEG

The center leg and center leg cable cover are made from 1 mm and 3 mm thick CNC-bent DKP steel sheets. The metal profiles used for support are made from 0.8 mm DKP steel sheets, and cable channels can be mounted in a demountable fashion.

METAL FRAME

The frame consists of profiles shaped in special molds, measuring 50x30x1.5 mm, made from DKP steel. They can be painted in any static color from the Zivella Metal Color Chart.

TABLETOP

The tabletop is made from 18 mm thick, melamine-coated particle board.

The tabletop can be produced in all colors and patterns from the Zivella Particle Board Color Chart.

ACCESSORIES

Feet: Height-adjustable plastic feet, specially shaped in molds, with a diameter of Q60 mm, featuring chrome detailing.

Cable Channel: Round and square meeting tables do not use suspended cable channels. Instead, a spiral cable channel can be applied.

Socket Cover: Twoway Mini Socket Cover is used on meeting tables.

USAGE AREA

Mio Meeting Tables are designed for indoor spaces like executive offices, meeting rooms, and work areas.

DESIGNER / COLLECTION

The Mio Meeting Table Product Group was designed by Klan Studio & Z Design Team for the 2022/2023 collection.

MATERIAL LIBRARY

Zivella; you can access the wood, metal, fabric, and faux leather library using the QR code below.



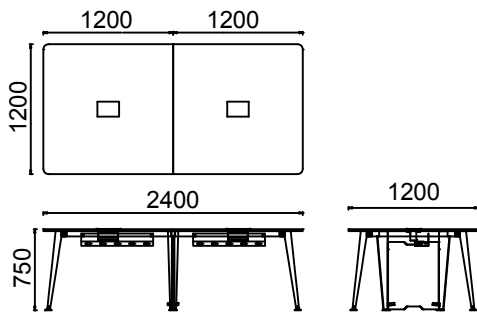
Material Catalog



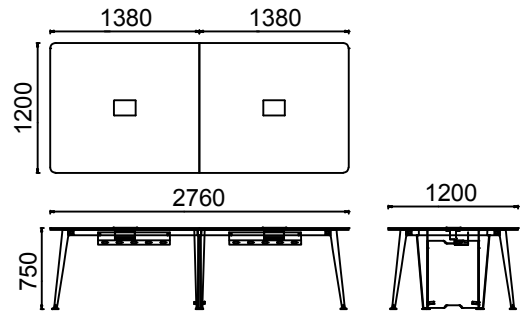


MIO TWO-TOP MEETING TABLES

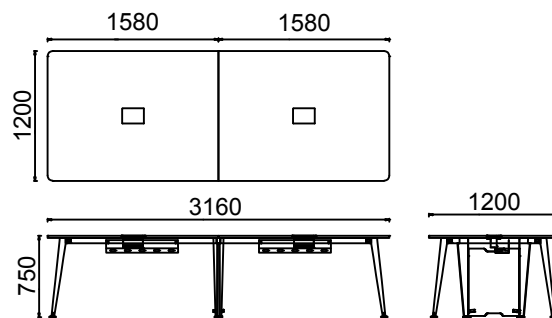
DIMENSIONS



MT120240T- MIO TWO-TOP MEETING TABLE 120x240



MT120280T- MIO TWO-TOP MEETING TABLE 120x280



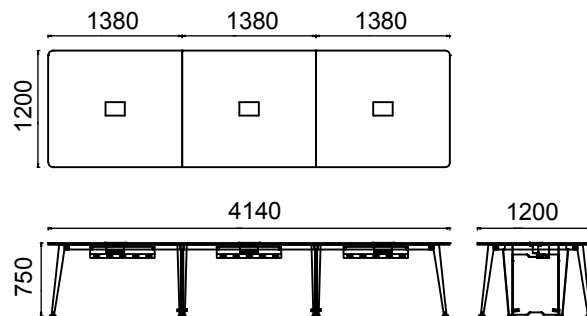
MT120320T- MIO TWO-TOP MEETING TABLE 120x320

Measurements are in millimeters.

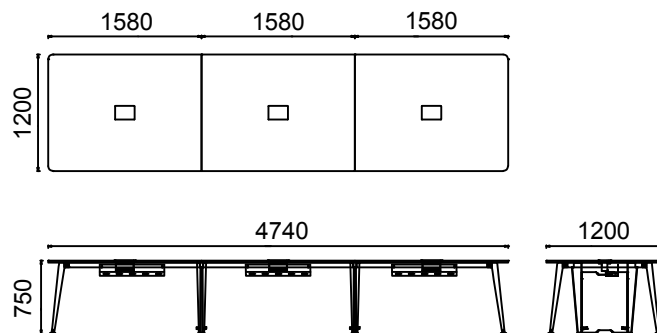


MIO THREE-TOP MEETING TABLES

DIMENSIONS



MT120420T- MIO THREE-TOP MEETING TABLE 120x420



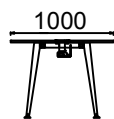
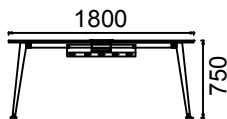
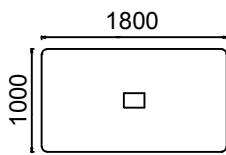
MT120480T- MIO THREE-TOP MEETING TABLE 120x480

Measurements are in millimeters.

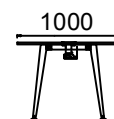
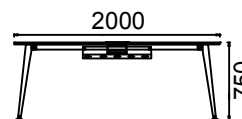
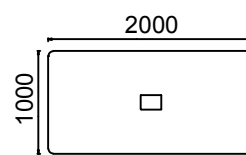


MIO RECTANGULAR MEETING TABLES

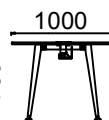
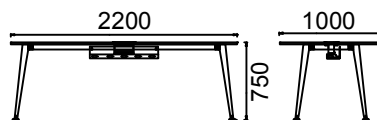
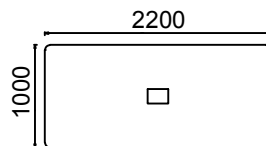
DIMENSIONS



MT100180T- MIO RECTANGULAR MEETING TABLE 100x180



MT100200T- MIO RECTANGULAR MEETING TABLE 100x200



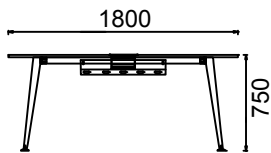
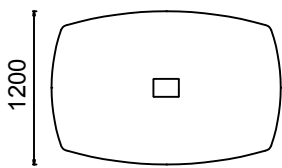
MT100220T- MIO RECTANGULAR MEETING TABLE 100x220

Measurements are in millimeters.

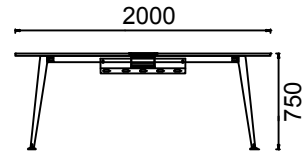
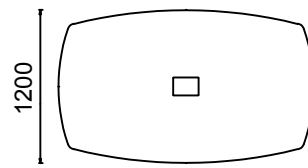
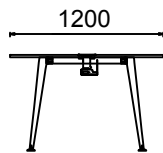


MIO ELLIPTICAL MEETING TABLES

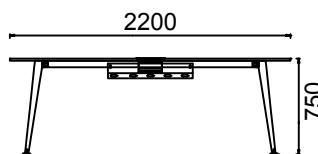
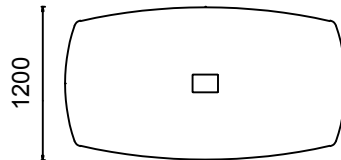
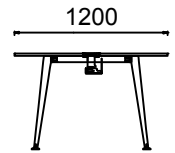
DIMENSIONS



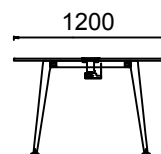
MT20180T- MIO ELLIPTICAL MEETING TABLE 120x180



MT120200T- MIO ELLIPTICAL MEETING TABLE 120x200



MT120220T- MIO ELLIPTICAL MEETING TABLE 120x220

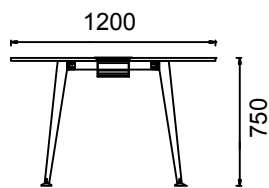
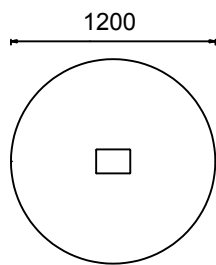


Measurements are in millimeters.

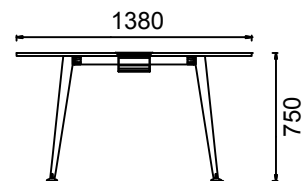
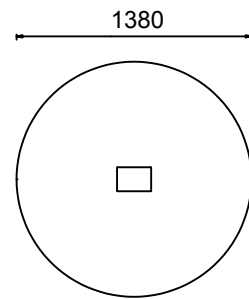


MIO ROUND MEETING TABLES

DIMENSIONS



MTQ120T- MIO ROUND MEETING TABLE Q120



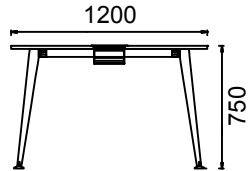
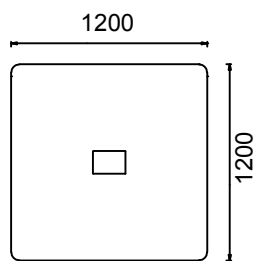
MTQ140T- MIO ROUND MEETING TABLE Q140

Measurements are in millimeters.

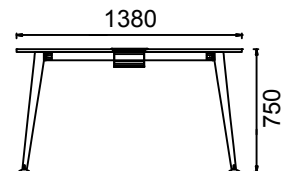
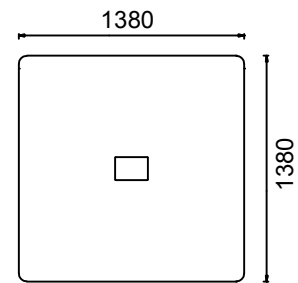


MIO SQUARE MEETING TABLES

DIMENSIONS



MT120120T- MIO SQUARE MEETING TABLE 120x120



MT140140T- MIO SQUARE MEETING TABLE 140x140

Measurements are in millimeters.