

DELTA-K MEETING CHAIRS

Technical Data Sheet





DELTA-K MEETING CHAIRS

Designer: Z Design Team

Delta-K stands out with its elegance and simplicity. The special design of its body offers a highly comfortable seating experience, available in various models as executive, work, or waiting chairs.

DESCRIPTIONS

LEG

Star Base: Five-legged star base made from impact and scratchresistant hard plastic material or chrome-plated aluminum injection.

MECHANISM

Mechanism: Dual lever tilt mechanism with anti-shock system, capable of locking in three different recline positions, adjustable in height, and adjustable movement stiffness. Made from 3.5mm thick aluminum material.

Gas Lift: Class 4 gas lift with a conical fitting system for the base and mechanism, adjustable to the desired seating height.

FRAME

The seat and back are molded as a single piece on special molds using plywood (double ply) and formed with polyurethane foam. It is ergonomically designed for human comfort and is resistant to impacts and breakages. The seat depth is 60mm narrower than standard office chairs.

ARMREST

Armrest: Fixed armrests with padding, made from polyurethane foam molded in special molds with a density of 55-60 kg/m².

ACCESSORY

Wheels: 50mm diameter wheels made from hard plastic material, rotatable in all directions with an 11mm clip system.

AREA OF USE

Delta-K Work Chairs are designed for indoor environments such as study rooms.

DESIGNER / COLLECTION

The Delta-K Product Group was designed by the Z Design Team for the 2022/2023 collection.

MATERIAL LIBRARY

Access the Zivella material library of wood, metal, fabric, and synthetic leather using the QR code below.

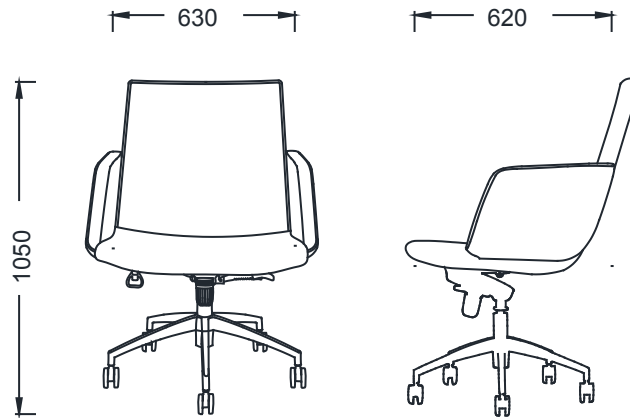


Material Library



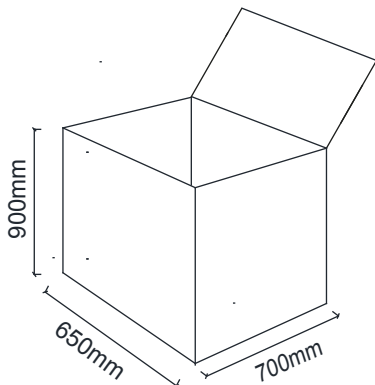
DELTA-K MEETING CHAIRS

MEASUREMENTS



BRK38430 - DELTA-K MEETING PLASTIC LEG
BRK38431 - DELTA-K MEETING METAL LEG

Parcel Measurements



Unit of measurement is millimeters.