

PRIME WORKING

Technical Data Sheet





PRIME WORKING

Prime's sophisticated design not only enhances aesthetics, but also delivers high-level comfort by supporting the spine with its ergonomic and flexible two-piece back.

DESCRIPTIONS

STAR BASE

The star base is made from durable hard plastic material that is resistant to impacts and scratches. Alternatively, it is available in a chrome-plated aluminum injection-molded version. The base is designed with five legs to provide stability and support.

MECHANISM

The chair features a dual-lever tilt mechanism, which allows the user to lock the chair in one of three reclining positions. The height of the chair is adjustable, and the tension of the recline can also be controlled to match the user's preference. The gas lift (pneumatic cylinder) is a Class 4, imported component that allows for height adjustments and is securely fitted between the base and the mechanism.

SEAT AND BACKREST

The seat cushion is made from 45 kg/m³ density polyurethane foam, molded into shape using specialized molds. The lower part of the seat is made from a plastic material, to which the foam cushion and the base are attached. The backrest is constructed from a plastic frame, produced through an injection molding process, and upholstered with mesh fabric. The backrest is designed ergonomically with two separate modules to support the spine. The lower module provides lumbar support and can be adjusted to the desired angle using a lever.

ARMREST

The armrests are adjustable in height and can move forward and backward. The armrest pads are made from polyurethane, providing a comfortable surface, and the armrests themselves are made from durable polypropylene, resistant to impacts and scratches.

ACCESSORIES

Wheels: The chair is equipped with 50 mm diameter wheels, made from hard plastic material, allowing for smooth movement in all directions.

USAGE AREA

The Prime Working chair is designed for use in executive offices, workspaces, and other office environments.

COLLECTION

Prime Working chair is designed for the 2023/2024 collection.

MATERIAL LIBRARY

You can access Zivella's library of wood, metal, fabric and artificial leather with the QR code below.



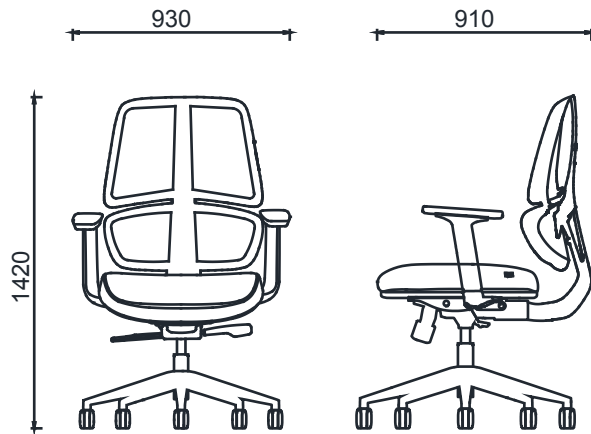
Material Catalog





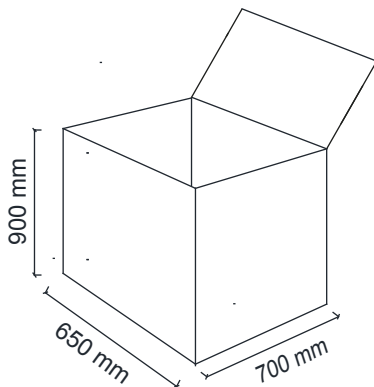
DIMENSIONS

PRIME WORKING



BRK50110 - PRIME WORKING (Plastic Base)
BRK50120 - PRIME WORKING (Aluminum Base)

Box Dimensions



Unit of measurement is millimeters.