

FLAT GUEST

Technical Data Sheet





FLAT GUEST

Designer: Z Design Team

With its minimal line and holistically designed back and arm structure, Flat adds a dynamic spirit to the spaces.

DESCRIPTIONS

METAL LEG

Legs are manufactured from DKP pipes with Q25mm diameter 2mm wall thickness and Q19 diameter 1,5mm wall thickness and 20x5 mm metal slats.

Feet are painted with electrostatic powder paint, chroming surface process is applied to BRK49220S and BRK49220B coded products.

FRAME

The seat/backrest is manufactured by plastic injection moulding in special moulds in a monolithic manner.

The seat/backrest plastic is available in white or black colour alternatives.

UPHOLSTERY

The seat is upholstered with 5cm thick 35 HR sponge on the seat plastic manufactured by plastic injection method in special moulds. The seat is covered with fabrics from Zivella Material Catalogue.

ACCESSORIES

Under the metal feet, a plastic plug-in glide is used for the Q28 pipe that prevents contact with the ground.

AREA OF USE

Flat Guest is designed for workspaces such as executive rooms, offices.

COLLECTION

Flat Guest is designed for the 2022/2023 collection.

MATERIAL LIBRARY

You can access Zivella's library of wood, metal, fabric and artificial leather with the QR code below.

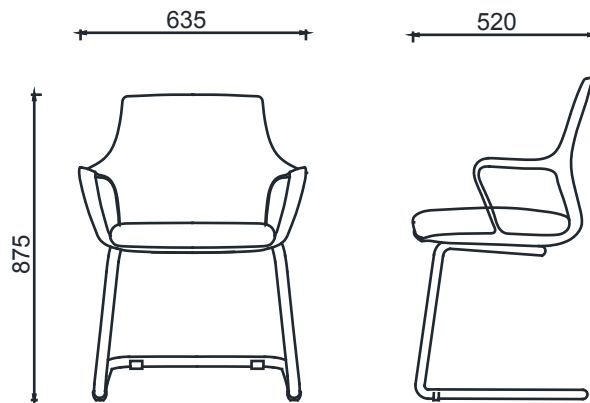


Material Library



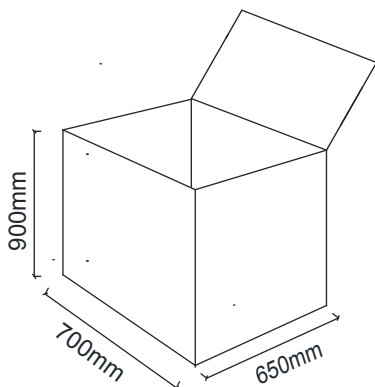
FLAT GUEST

MEASUREMENTS



BRK49210S - FLAT GUEST BLACK U LEG (Static)
BRK49210B - FLAT GUEST WHITE U LEG (Static)
BRK49220S - FLAT GUEST BLACK U LEG (Chrome)
BRK49220B - FLAT GUEST WHITE U LEG (Chrome)

Parcel Measurements



Unit of measurement is millimeters.