

BEST OFFICE CHAIRS

Technical Data Sheet





BEST OFFICE CHAIRS

Designer: Z Design Team

The Best chair brings together the most essential features needed in a task chair. It offers versatile options with either movable or fixed bases and can include arm support as desired. With its metal base and fabric upholstery, Best combines a modern and cohesive look, making it an ideal fit for any environment.

EXPLANATIONS

METAL STRUCTURE

Star Base: A five-star metal base made from 1.5 mm thick DKP sheet, shaped in special molds and finished with electrostatic powder coating.

For models BRK22320K and BRK22322K, a chrome surface finish is applied to the metal legs.

MECHANISM

A single-lever mechanism, made from 5 mm DKP sheet, that rotates 360 degrees and allows for height adjustment.

Gas Lift: A black, class 4 gas lift with a conical fitting system that locks at the desired seating height.

ARMREST

Models BRK22322 and BRK22322K include fixed L-shaped armrests produced through aluminum injection molding.

The metal coating is applied with a 90-micron thick textured electrostatic powder paint.

UPHOLSTERY

The monoblock body is upholstered in fabric or artificial leather over polyurethane foam, molded in special forms with a density of 55-60 kg/m³.

The internal metal skeleton of the polyurethane includes transmission shafts of 5 mm and 10 mm, and metal flat bars in dimensions of 20x5 mm and 20x3 mm.

ACCESSORIES

Wheels: 50 mm diameter wheels, made from hard plastic material, swivel in all directions with an 11 mm circlip attachment.

USAGE AREA

The Best Office Chairs are designed for workspaces such as meeting rooms.

DESIGNER / COLLECTION

The Best Office Chairs were designed by Z Design Team for the 2022/2023 collection.

MATERIAL LIBRARY

Zivella; you can access the wood, metal, fabric, and artificial leather library via the QR code below.



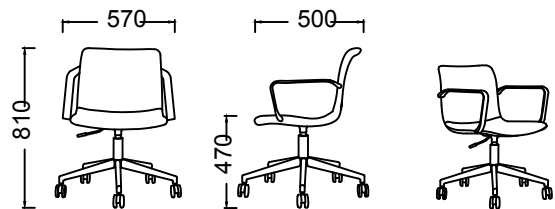
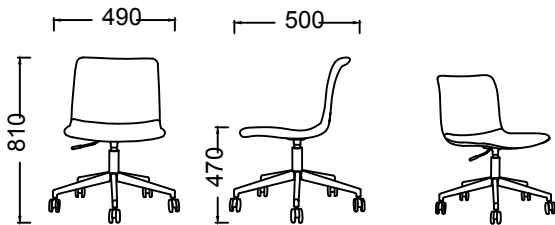
Material Catalog





BEST OFFICE CHAIRS

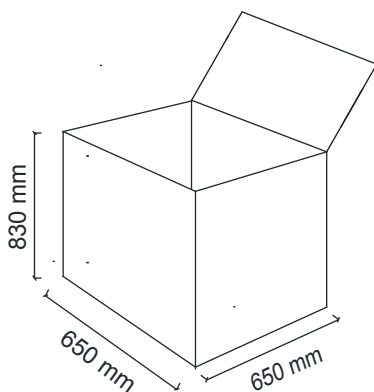
DIMENSIONS



BRK22320 - BEST OFFICE CHAIR WITHOUT ARMS, STATIC STAR BASE
BRK22320K - BEST OFFICE CHAIR WITHOUT ARMS, CHROME STAR BASE

BRK22322 - BEST OFFICE CHAIR WITH ARMS, STATIC STAR BASE
BRK22322K - BEST OFFICE CHAIR WITH ARMS, CHROME STAR BASE

Packaging Dimensions:



Measurement unit is millimeters.